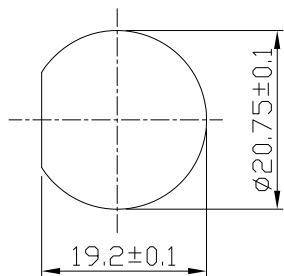


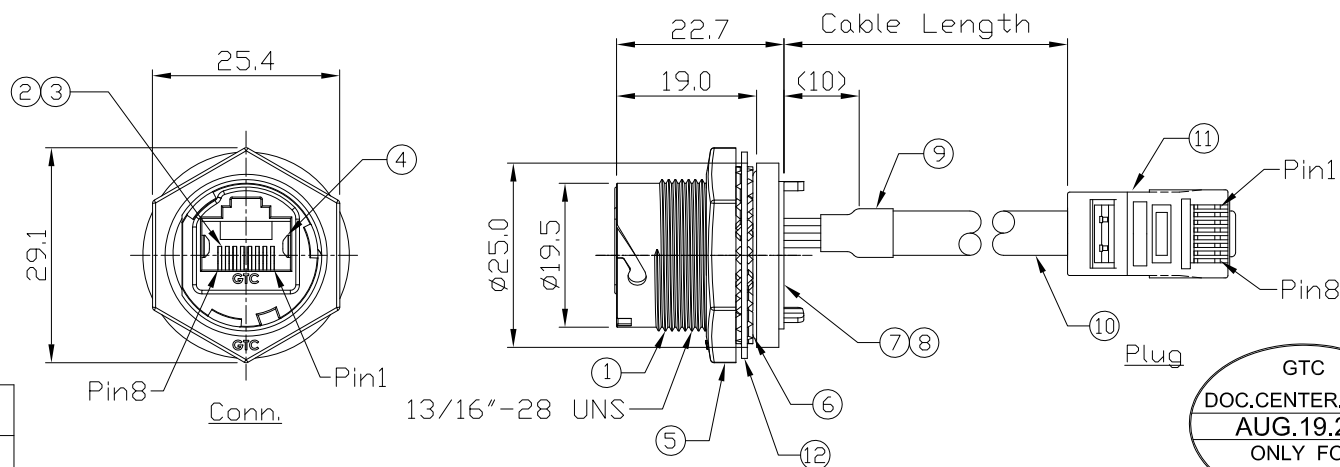
Notes: (Unless Otherwise Specified)

- 1. Waterproof Rate: IP68.
- 2. Recommend Panel Thickness: 0.8 to 3.0 mm.
- 3. Recommend Torque: 19~20 Kgf-cm.
- 4. Mating Cap P/N: GT1C2130X2.
- 5. RoHS Compliant.

| REV | ECN# | DESCRIPTION OF REVISION | DRAW BY DATE | CHECK BY DATE | APPROVE BY DATE |
|-----|------------|--|----------------|----------------|-----------------|
| A0 | | Mass Production | Joyce 03/12/12 | Lucas 03/12/12 | Ray 03/12/12 |
| A1 | ECN-140805 | Modify Item 9, Shrink Tube L=10mm to 20mm Δ | Joyce 08/07/14 | Lucas 08/07/14 | Ray 08/07/14 |

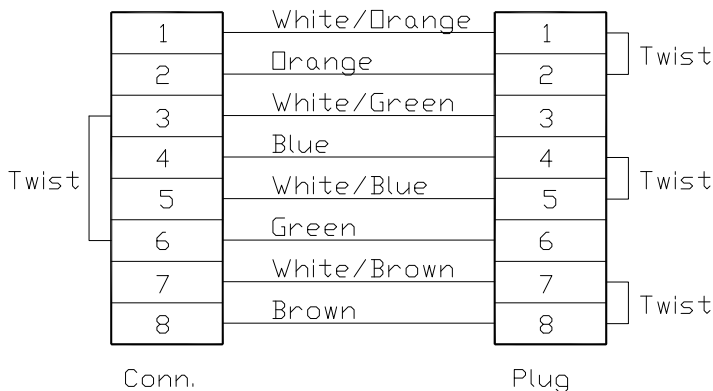


Recommend Panel Cut-Out



GTC
 DOC.CENTER.ISSUE
 AUG.19.2014
 ONLY FOR RELEASE

| Item | Part Name | Material / Finish | Q'TY |
|------|--------------------|---|------------|
| 12 | Washer | Stainless Finish: — | 1 |
| 11 | RJ45 Plug | Contacts: Copper Alloy; Finish: Au Plated Housing: Thermoplastic; Color: Clean | 1 |
| 10 | Cable | CAT5E(UTP) 24AWG*4P, DD=5.4mm Color: Gray | 1 |
| 9 | Shrink Tube | L=20mm Color: Black | 1 Δ |
| 8 | Glue | Epoxy Color: Black | |
| 7 | PCB | FR-4 Color: — | 2 |
| 6 | O-Ring | Silicone Color: Red | 1 |
| 5 | Hex Nut | Zn Alloy Finish: Ni Plated | 1 |
| 4 | EMI Shielded Plate | Copper Alloy Finish: Ni Plated | 2 |
| 3 | Holder | Thermoplastic Color: Black | 1 |
| 2 | RJ45 Receptacle | Contacts: Copper Alloy; Finish: Au Plated Housing: Thermoplastic; Color: Gray | 1 |
| 1 | Housing | Zn Alloy Finish: Ni Plated | 1 |



Wiring Diagram

| Part No. | Cable Length | Tol. |
|----------------|--------------|------|
| GT225200-0B-01 | 1000 mm | ±50 |
| GT225200-0B-Z9 | 900 mm | ±40 |
| GT225200-0B-Z8 | 800 mm | ±40 |
| GT225200-0B-Z7 | 700 mm | ±40 |
| GT225200-0B-Z6 | 600 mm | ±40 |
| GT225200-0B-Z5 | 500 mm | ±40 |
| GT225200-0B-Z4 | 400 mm | ±20 |
| GT225200-0B-Z3 | 300 mm | ±20 |
| GT225200-0B-Z2 | 200 mm | ±10 |
| GT225200-0B-Z1 | 100 mm | ±10 |

GT Contact CO.,LTD

NOTICE OF PROPRIETARY PROPERTY:
 THE INFORMATION CONTAINED HEREIN IS THE PROPRIETARY PROPERTY OF GT Contact CO.,LTD THE POSSESSOR AGREES TO THE FOLLOWING:
 (1) TO MAINTAIN THIS DOCUMENT IN CONFIDENCE
 (2) NOT TO REPRODUCE OR COPY IT
 (3) NOT TO REVEAL OR PUBLISH IT IN WHOLE OR PART
 (4) ALL RIGHTS RESERVED

| TITLE | | | | | | DRAWING NUMBER | | | REV. |
|---|------|-------|----------------|----------------|----------------|-------------------------|-----------------------------|------|-------|
| RJ45 Metal C3 Shielded Panel Jack Lock With UTP Cable+RJ Plug | | | | | | GT225200-0B-XX | | | A1 |
| DD NOT SCALE DRAWINGS | B | 1:1 | Joyce 03/12/12 | Lucas 03/12/12 | Ray 03/12/12 | X.X ± 0.5 X.XX ± 0.2 | X.XXX ± 0.05 ANGLES ± 1° | mm | 1/1 |
| THIRD ANGLE PROJECTION | SIZE | SCALE | DRAW / DATE | CHECK / DATE | APPROVE / DATE | TOLERANCES | | UNIT | SHEET |