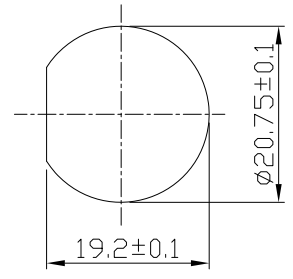


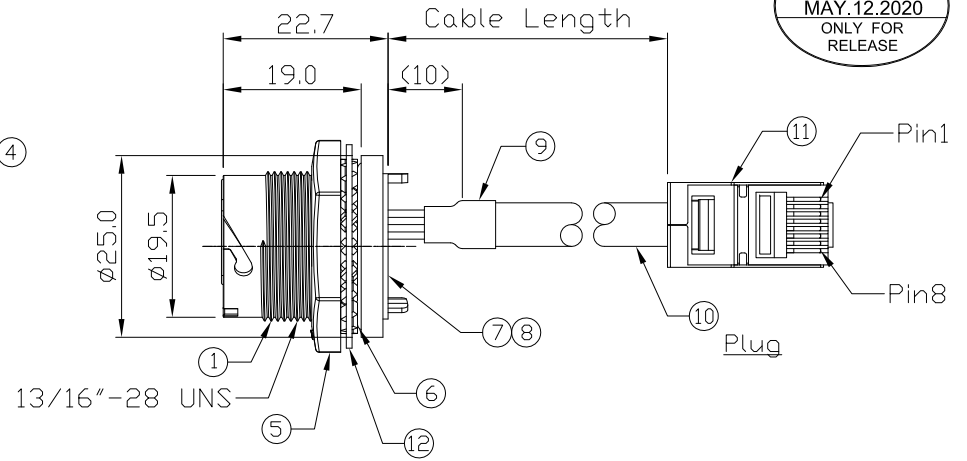
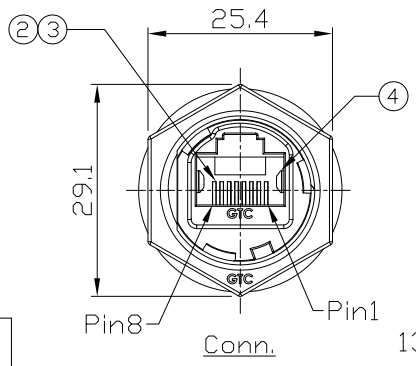
Notes: (Unless Otherwise Specified)

1. Waterproof Rate: IP68.
2. Recommend Panel Thickness: 0.8 to 3.0 mm.
3. Recommend Torque: 19~20 Kgf-cm.
4. Mating Cap P/N: GT1C2130X2.
5. RoHS Compliant.

REV	ECN#	DESCRIPTION OF REVISION	DRAW BY DATE	CHECK BY DATE	APPROVE BY DATE
A5	ECN-200505	Modify Tolerance	Whitney 05/11/20	Lucas 05/11/20	Ray 05/11/20



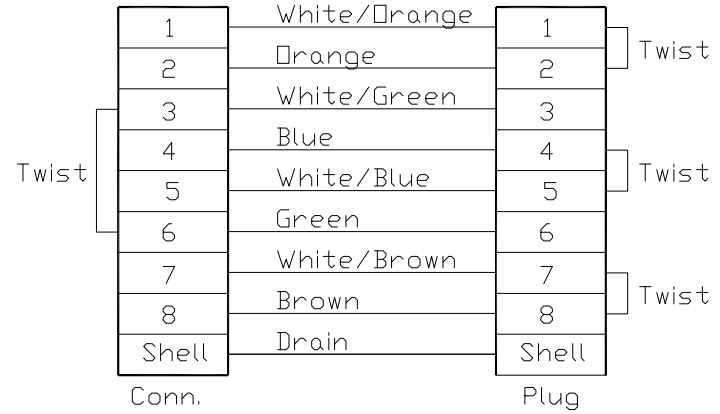
Recommend Panel Cut-Out



GTC  
DOC.CENTER.ISSUE  
MAY.12.2020  
ONLY FOR  
RELEASE

Item	Part Name	Material / Finish	QTY
12	Washer	Stainless Finish: —	1
11	RJ45 Plug	Housing: Thermoplastic; Color: Clean Contacts: Copper Alloy; Finish: Au Plated Shell: Cold Roll Steel; Finish: Ni Plated	1
10	Cable	CAT5E 24AWG*4P+AL/My+D Color: Gray, OD=6.0mm	1
9	Shrink Tube	L=20mm Color: Black	1
8	Glue	Epoxy Color: Black	
7	PCB	FR-4 Color: —	2
6	O-Ring	Silicone Color: Red	1
5	Hex Nut	Zn Alloy Finish: Ni Plated	1
4	EMI Shielded Plate	Copper Alloy Finish: Ni Plated	2
3	Holder	Thermoplastic Color: Black	1
2	RJ45 Receptacle	Housing: Thermoplastic; Color: Gray Contacts: Copper Alloy; Finish: Au Plated	1
1	Housing	Zn Alloy Finish: Ni Plated	1

13/16"-28 UNS



Wiring Diagram

Part No.	Cable Length	Tol.
GT225200-03-01	1000 mm	+50
GT225200-03-Z9	900 mm	+50
GT225200-03-Z8	800 mm	+50
GT225200-03-Z7	700 mm	+50
GT225200-03-Z6	600 mm	+50
GT225200-03-Z5	500 mm	+50
GT225200-03-Z4	400 mm	+50
GT225200-03-Z3	300 mm	+25
GT225200-03-Z2	200 mm	+25
GT225200-03-Z1	100 mm	+25

TITLE					DRAWING NUMBER			REV.	
RJ45 Metal C3 Shielded Panel Jack Lock With Cable + RJ Plug					GT225200-03-XX			A5	
THIRD ANGLE PROJECTION	SIZE	SCALE	DRAW / DATE	CHECK / DATE	APPROVE / DATE	TOLERANCES		UNIT	SHEET
	B	1:1	Vicky 09/14/10	Ray 09/14/10	Ray 09/14/10	X.X ± 0.5 X.XX ± 0.2		mm	1/1
						X.XXX ± 0.05 ANGLES ± 1°			

GT Contact CO.,LTD

NOTICE OF PROPRIETARY PROPERTY:  
THE INFORMATION CONTAINED HEREIN IS THE PROPRIETARY PROPERTY OF GT Contact CO.,LTD THE POSSESSOR AGREES TO THE FOLLOWING:  
(1) TO MAINTAIN THIS DOCUMENT IN CONFIDENCE  
(2) NOT TO REPRODUCE OR COPY IT  
(3) NOT TO REVEAL OR PUBLISH IT IN WHOLE OR PART  
(4) ALL RIGHTS RESERVED