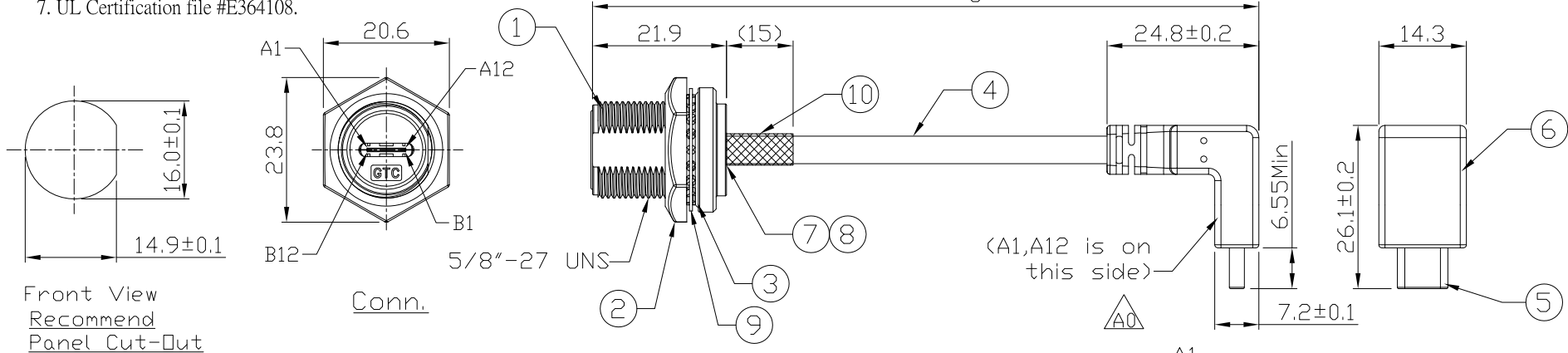


Notes: (Unless Otherwise Specified)

- 1. Waterproof Rate: IP68.
- 2. Recommend Panel Thickness: 0.8 to 6.0 mm.
- 3. Recommend Torque: 19~20 Kgf-cm.
- 4. Mating Cap P/N: GT1C5231X2/GT2C123012.
- 5. RoHS Compliant.
- 6. Type C - Pin Out Is The Same As This Drawing.
- 7. UL Certification file #E364108.

REV	ECN#	DESCRIPTION OF REVISION	DRAW BY DATE	CHECK BY DATE	APPROVE BY DATE
A0	ECN-211203	Copper foil wrap => metal shell cover	Lucas 12/09/21	Lucas 12/09/21	Ray 12/09/21



10	Shrink Tube	L=20mm, Heat Shrink Tube With Adhesive Lined Color: Black	1
9	Metal Washer	SUS Finish:-	1
8	EMI Shielded Plate	Copper Alloy Finish: Ni Plated	1
7	Glue	Epoxy Color: Black	
6	Over Mold	PVC Color: Black	1
5	USB Type C 3.1 Male Right Angle Up/Down	Housing: Thermoplastic, Color: Black Contacts: Copper Alloy, Finish: Au Plated Shell: Stainless Steel, Finish: Au Plated	1
4	Cable	UL21572 (1P/32#+EAM)*4+(1P/32#+A)+(4C/32#+)(1C/24#+)+2EAB 85% OD:4.8mm BLACK TPE JACKET.	1
3	O-Ring	Silicone Color: Red	1
2	Hex Nut	Zn Alloy Finish: Ni Plated	1
1	Housing	Zn Alloy Finish: Ni Plated	1
Item	Part Name	Material / Finish	Q'ty

GT21C300-0D-02	2000 mm	+100
GT21C300-0D-01	1000 mm	+50
GT21C300-0D-Z9	900 mm	+50
GT21C300-0D-Z8	800 mm	+50
GT21C300-0D-Z7	700 mm	+50
GT21C300-0D-Z6	600 mm	+50
GT21C300-0D-Z5	500 mm	+50
GT21C300-0D-Z4	400 mm	+50
GT21C300-0D-Z3	300 mm	+25
GT21C300-0D-Z2	200 mm	+25
GT21C300-0D-Z1	100 mm	+25
Part No.	Cable Length	Tol.

GTC
DOC.CENTER.ISSUE
DEC.09.2021
ONLY FOR
RELEASE

GT Contact CO.,LTD

NOTICE OF PROPRIETARY PROPERTY:
THE INFORMATION CONTAINED HEREIN IS THE PROPRIETARY PROPERTY OF GT Contact CO.,LTD THE POSSESSOR AGREES TO THE FOLLOWING:
 (1) TO MAINTAIN THIS DOCUMENT IN CONFIDENCE
 (2) NOT TO REPRODUCE OR COPY IT
 (3) NOT TO REVEAL OR PUBLISH IT IN WHOLE OR PART
 (4) ALL RIGHTS RESERVED

TITLE						DRAWING NUMBER			REV.
USB 3.1 Type C Metal C2 Panel Jack Screw With Type C Plug Up/Down						GT21C300-0D-XX			A0
	B	1:1	Hank 10/25/19	Lucas 10/25/19	Ray 10/25/19	X.X ± 0.5 X.XX ± 0.2	X.XXX ± 0.05 ANGLES ± 1°	mm	1/3
THIRD ANGLE PROJECTION	SIZE	SCALE	DRAW / DATE	CHECK / DATE	APPROVE / DATE	TOLERANCES		UNIT	SHEET

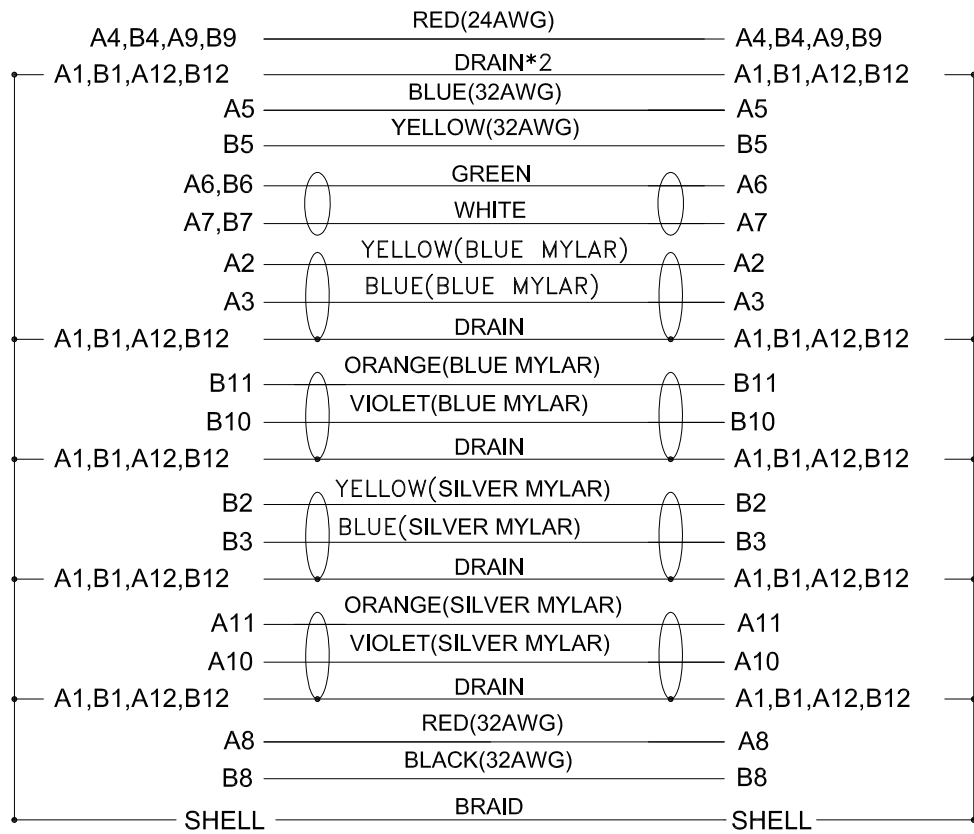
1

2

3

4

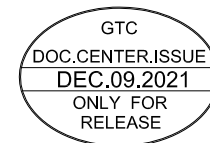
REV	ECN#	DESCRIPTION OF REVISION	DRAW BY DATE	CHECK BY DATE	APPROVE BY DATE
A0	ECN-211203	Copper foil wrap => metal shell cover	Lucas 12/09/21	Lucas 12/09/21	Ray 12/09/21



Conn.

Type C Plug

Wiring Diagram



GT Contact CO.,LTD

TITLE USB 3.1 Type C Metal C2 Panel Jack Screw With Type C Plug Up/Down					DRAWING NUMBER GT21C300-0D-XX			REV. A0
--	--	--	--	--	----------------------------------	--	--	------------

	B	1:1	Hank 10/25/19	Lucas 10/25/19	Ray 10/25/19	X.X ± 0.5 X.XX ± 0.2	X.XXX ± 0.05 ANGLES ± 1°	mm	2/3
THIRD ANGLE PROJECTION	SIZE	SCALE	DRAW / DATE	CHECK / DATE	APPROVE / DATE	TOLERANCES		UNIT	SHEET

NOTICE OF PROPRIETARY PROPERTY:
 THE INFORMATION CONTAINED HEREIN IS THE PROPRIETARY PROPERTY OF GT Contact CO.,LTD THE POSSESSOR AGREES TO THE FOLLOWING:
 (i) TO MAINTAIN THIS DOCUMENT IN CONFIDENCE
 (ii) NOT TO REPRODUCE OR COPY IT
 (iii) NOT TO REVEAL OR PUBLISH IT IN WHOLE OR PART
 (iv) ALL RIGHTS RESERVED

1

2

3

4

1

2

3

4

REV	ECN#	DESCRIPTION OF REVISION	DRAW BY DATE	CHECK BY DATE	APPROVE BY DATE
A0	ECN-211203	Copper foil wrap => metal shell cover	Lucas 12/09/21	Lucas 12/09/21	Ray 12/09/21

***CONSTRUCTION:

1.CABLE:

* UL21572(1P/32#+EAM)*4+(1P/32#+A)+(4C/32#)+(1C/24#)+2EAB 85%
 OD:4.8mm BLACK TPE JACKET.

***CONNECTOR:

2.USB C/M:

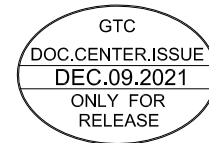
* USB TYPE C MALE SOLDER TYPE,PCB WITHOUT IC,
 * PINS: 30u GOLD PLATED OVER NICKEL.
 * INSULATOR: BLACK THERMOPLASTIC 94V-0 RATED.
 * SHELL: STEEL WITH GOLD PLATED.
 * COVER: STEEL WITH NI PLATED.
 * CAPACITOR.
 * MOLDED: BLACK PVC 45P & 30P.

3.USB C/F:

* USB TYPE C FEMALE SOLDER TYPE,PCB WITHOUT IC,
 * PINS: 30u GOLD PLATED OVER NICKEL.
 * INSULATOR: BLACK COLOR LCP 94V-0 RATED.
 * SHELL: STEEL WITH GOLD FLASH.

4.TEST:

* CT: 2 ohm IS: 5M ohm



GT Contact CO.,LTD

NOTICE OF PROPRIETARY PROPERTY:
 THE INFORMATION CONTAINED HEREIN IS THE PROPRIETARY PROPERTY OF GT Contact CO.,LTD THE POSSESSOR AGREES TO THE FOLLOWING:
 (a) TO MAINTAIN THIS DOCUMENT IN CONFIDENCE
 (b) NOT TO REPRODUCE OR COPY IT
 (c) NOT TO REVEAL OR PUBLISH IT IN WHOLE OR PART
 (d) ALL RIGHTS RESERVED

TITLE USB 3.1 Type C Metal C2 Panel Jack Screw With Type C Plug Up/Down						DRAWING NUMBER GT21C300-0D-XX			REV. A0
	B	1:1	Hank 10/25/19	Lucas 10/25/19	Ray 10/25/19	X.X ± 0.5 X.XX ± 0.2	X.XXX ± 0.05 ANGLES ± 1°	mm	3/3
THIRD ANGLE PROJECTION	SIZE	SCALE	DRAW / DATE	CHECK / DATE	APPROVE / DATE	TOLERANCES		UNIT	SHEET

1

2

3

4