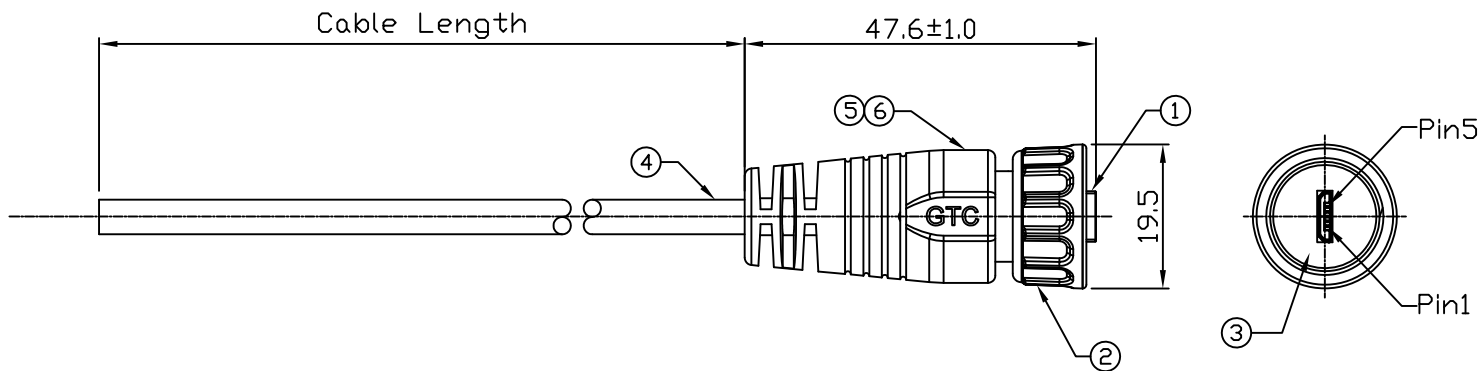


Notes: (Unless Otherwise Specified)

1. Waterproof Rate: IP67.
2. RoHS Compliant.

REV	ECN#	DESCRIPTION OF REVISION	DRAW BY DATE	CHECK BY DATE	APPROVE BY DATE
02	ECN-181205	Micro USB-B Plug Change To Solder Type & Del PCB	Lucas 12/06/18	Lucas 12/06/18	Ray 12/06/18



GTC  
DOC.CENTER.ISSUE  
JAN.28.2019  
ONLY FOR  
RELEASE

Red	1
White	2
Green	3
Yellow	4
Black	5
Drain	Shell

Wiring Diagram

GT21B320-01-02	2000 mm	+100
GT21B320-01-01	1000 mm	+50
GT21B320-01-Z9	900 mm	+50
GT21B320-01-Z8	800 mm	+50
GT21B320-01-Z7	700 mm	+50
GT21B320-01-Z6	600 mm	+50
GT21B320-01-Z5	500 mm	+50
GT21B320-01-Z4	400 mm	+50
GT21B320-01-Z3	300 mm	+25
GT21B320-01-Z2	200 mm	+25
GT21B320-01-Z1	100 mm	+25
Part No.	Cable Length	Tol.

6	Over Mold	PVC Color: Black	1
5	Inner Mold	Thermoplastic Color: Black	1
4	Cable	UL2725 1P*28AWG+3C*24AWG+Al/My+D+B Color: Black, OD=5.0mm	1
3	Rubber Pad	Silicone Color: Black	1
2	Screw Nut	Zn Alloy Finish: Ni Plated	1
1	Micro USB-B Plug	Housing: Thermoplastic, Color: Black Contacts: Copper Alloy, Finish: Au Plated Shell: Cold Roll Steel, Finish: Ni Plated	1
Item	Part Name	Material / Finish	Q'TY

TITLE						DRAWING NUMBER			REV.
Micro USB-B Metal C2 Cable End Screw						GT21B320-01-XX			02
	B	1:1	Whitney 07/31/18	Lucas 07/31/18	Ray 07/31/18	X.X ± 0.5 X.XX ± 0.2	X.XXX ± 0.05 ANGLES ± 1°	mm	1/1
THIRD ANGLE PROJECTION	SIZE	SCALE	DRAW / DATE	CHECK / DATE	APPROVE / DATE	TOLERANCES		UNIT	SHEET

GT Contact CO.,LTD

NOTICE OF PROPRIETARY PROPERTY:

THE INFORMATION CONTAINED HEREIN IS THE PROPRIETARY PROPERTY OF GT Contact CO.,LTD THE POSSESSOR AGREES TO THE FOLLOWING:

(a) TO MAINTAIN THIS DOCUMENT IN CONFIDENCE

(b) NOT TO REPRODUCE OR COPY IT

(c) NOT TO REVEAL OR PUBLISH IT IN WHOLE OR PART

(d) ALL RIGHTS RESERVED