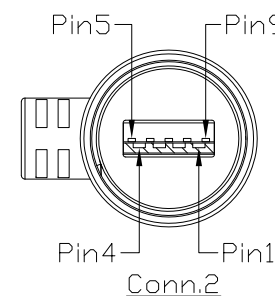
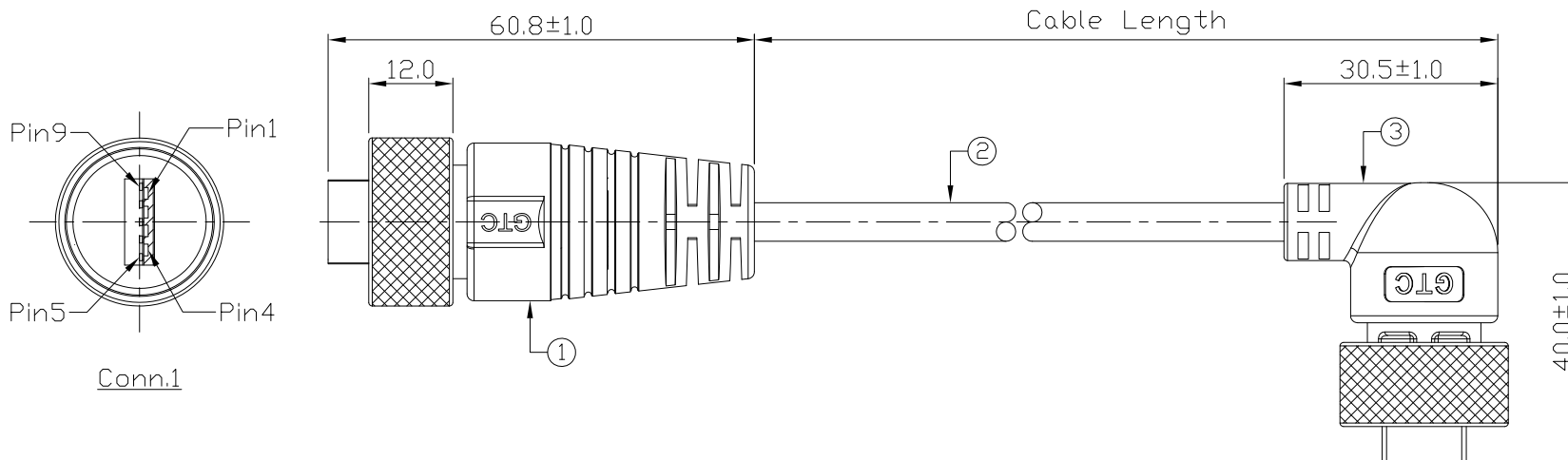


Notes: (Unless Otherwise Specified)

1. Waterproof Rate: IP68.
2. RoHS Compliant.

REV	ECN#	DESCRIPTION OF REVISION	DRAW BY DATE	CHECK BY DATE	APPROVE BY DATE
01			Aileen 10/13/22	Lucas 10/13/22	Ray 10/13/22



GT218320-0B-03	3000 mm	+100
GT218320-0B-02	2000 mm	+100
GT218320-0B-01	1000 mm	+50
GT218320-0B-Z9	900 mm	+50
GT218320-0B-Z8	800 mm	+50
GT218320-0B-Z7	700 mm	+50
GT218320-0B-Z6	600 mm	+50
GT218320-0B-Z5	500 mm	+50
GT218320-0B-Z4	400 mm	+50
GT218320-0B-Z3	300 mm	+25
GT218320-0B-Z2	200 mm	+25
Part No.	Cable Length	Tol.

Item	Part Name	Material / Finish	Q'ty
3	USB-A 3.0 Metal C3 Cable End 90° Plug Screw	GT Contact P/N: GT218329-01	1
2	Cable	UL2725 (1P*28AWGEM)*2+(1PR*28AWG+A)+2C*22AWG+AB 85% DD=5.5mm, Color: Black	1
1	USB-A 3.0 Metal C3 Cable End Plug Screw	GT Contact P/N: GT218320-01	1

TITLE						DRAWING NUMBER			REV.
USB-A 3.0 Metal C3 Cable End Straight And Angle Plug Screw						GT218320-0B-XX			01
THIRD ANGLE PROJECTION	SIZE	SCALE	DRAW / DATE	CHECK / DATE	APPROVE / DATE	TOLERANCES		SHEET	
	B	1:1	Aileen 10/13/22	Lucas 10/13/22	Ray 10/13/22	X.X ± 0.5 X.XX ± 0.2	X.XXX ± 0.05 ANGLES ± 1°	mm 1/1	

GT Contact CO.,LTD

NOTICE OF PROPRIETARY PROPERTY:
THE INFORMATION CONTAINED HEREIN IS THE PROPRIETARY PROPERTY OF GT CONTACT CO.,LTD THE POSSESSOR AGREES TO THE FOLLOWING:
(a) TO MAINTAIN THIS DOCUMENT IN CONFIDENCE
(b) NOT TO REPRODUCE OR COPY IT
(c) NOT TO REVEAL OR PUBLISH IT IN WHOLE OR PART
(d) ALL RIGHTS RESERVED