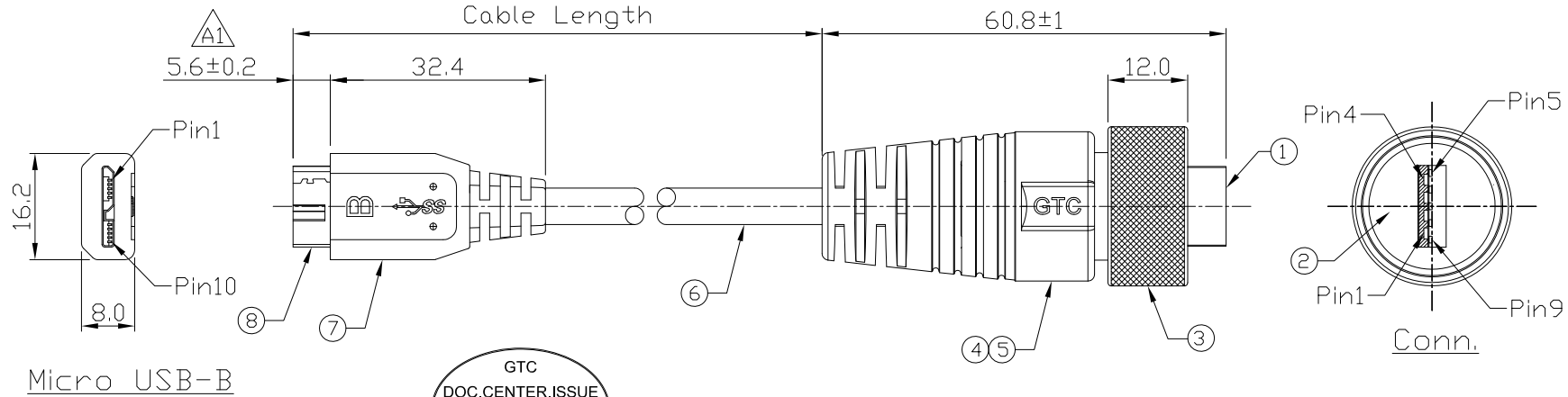


Notes: (Unless Otherwise Specified)

1. Waterproof Rate: IP68.
2. RoHS Compliant.

REV	ECN#	DESCRIPTION OF REVISION	DRAW BY DATE	CHECK BY DATE	APPROVE BY DATE
A1	ECN-180926	Modify Drawing	Lucas 10/04/18	Lucas 10/04/18	Ray 10/04/18



Item	Part Name	Material / Finish	Q'ty
8	Micro USB-B 3.0 Plug	Housing: Thermoplastic, Color: Black Contacts: Copper Alloy, Finish: Au Plated Shell: Steel, Finish: Ni Plated	1
7	Over Mold	PVC Color: Black	1
6	Cable	UL2725 (1PR*28AWG+EAM)*2+(1PR*28AWG+A)+2C*24AWG+AB 85% Color: Black, OD=5.5mm	1
5	Over Mold	PVC Color: Black	1
4	Inner Mold	Thermoplastic Color: Black	1
3	Metal Screw Nut	Copper Alloy Finish: Ni Plated	1
2	Rubber Pad	Silicone Color: Black	1
1	USB-A 3.0 Plug	Housing: Thermoplastic, Color: Blue Contacts: Copper Alloy, Finish: Au Plated Shell: Cold Roll Steel, Finish: Ni Plated	1

Micro USB-B	Color	Conn.
1	Red	1
2	White	2
3	Green	3
5	Black	4
6	Blue	5
7	Yellow	6
8	Drain	7
9	Purple	8
10	Orange	9
Shell	Braid	Shell

Part No.	Cable Length	Tol.
GT218320-08-03	3000 mm	+100
GT218320-08-02	2000 mm	+100
GT218320-08-01	1000 mm	+50
GT218320-08-Z9	900 mm	+50
GT218320-08-Z8	800 mm	+50
GT218320-08-Z7	700 mm	+50
GT218320-08-Z6	600 mm	+50
GT218320-08-Z5	500 mm	+50
GT218320-08-Z4	400 mm	+50
GT218320-08-Z3	300 mm	+25
GT218320-08-Z2	200 mm	+25

Micro USB-B Wiring Diagram Conn.

TITLE						DRAWING NUMBER			REV.	
USB-A 3.0 Metal C3 Cable End Plug Screw With Cable + Micro USB-B 3.0 Plug						GT218320-08-XX			A1	
THIRD ANGLE PROJECTION	SIZE	SCALE	DRAW / DATE	CHECK / DATE	APPROVE / DATE	TOLERANCES	UNIT	SHEET		
	B	1:1	Joyce 07/06/16	Lucas 07/06/16	Ray 07/06/16	X.X ± 0.5 X.XX ± 0.2	mm	1/1		
						X.XXX ± 0.05 ANGLES ± 1°				

GT Contact CO.,LTD

NOTICE OF PROPRIETARY PROPERTY:  
THE INFORMATION CONTAINED HEREIN IS THE PROPRIETARY PROPERTY OF GT Contact CO.,LTD THE POSSESSOR AGREES TO THE FOLLOWING:  
(a) TO MAINTAIN THIS DOCUMENT IN CONFIDENCE  
(b) NOT TO REPRODUCE OR COPY IT  
(c) NOT TO REVEAL OR PUBLISH IT IN WHOLE OR PART  
(d) ALL RIGHTS RESERVED