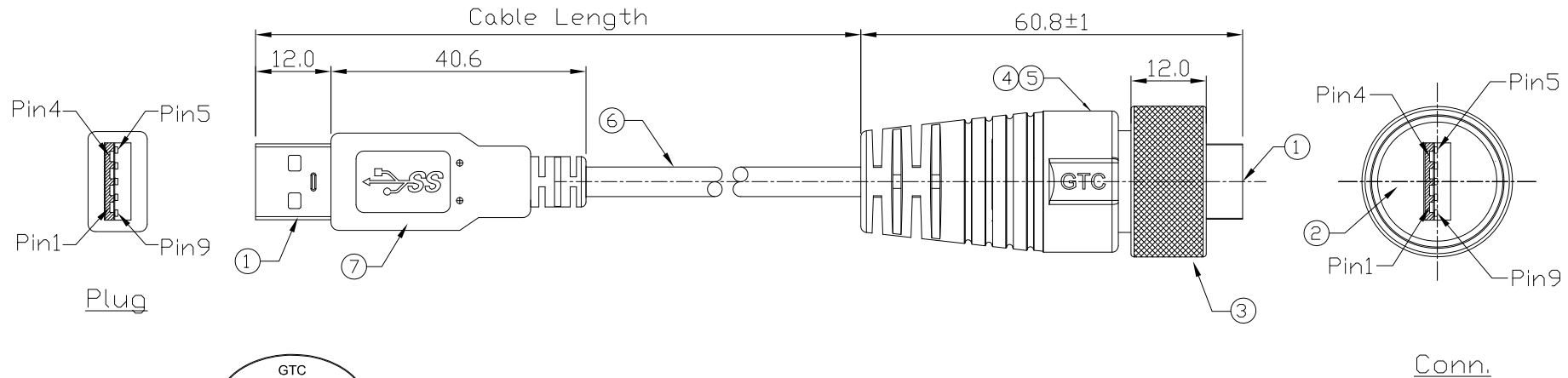


Notes: (Unless Otherwise Specified)

- 1. Waterproof Rate: IP68.
- 2. RoHS Compliant.

REV	ECN#	DESCRIPTION OF REVISION	DRAW BY DATE	CHECK BY DATE	APPROVE BY DATE
A0	ECN-240624	STEEL WITH NICKEL PALTED=>STEEL WITH Au PALTED	Lucas 07/03/24	Lucas 07/03/24	Ray 07/03/24



GTC
DOC.CENTER.ISSUE
JUL.05.2024
ONLY FOR
RELEASE

7	Over Mold	PVC Color: Black	1
6	Cable	UL2725 (1P*28AWGEAM)*2+(1PR*28AWG+A)+2C*22AWG+AB 85% Color: Black, OD=5.5mm	1
5	Over Mold	PVC Color: Black	1
4	Inner Mold	Thermoplastic Color: Black	1
3	Metal Screw Nut	Copper Alloy Finish: Ni Plated	1
2	Rubber Pad	Silicone Color: Black	1
1	USB-A 3.0 Plug	Housing: Thermoplastic, Color: Blue Contacts: Copper Alloy, Finish: Au Plated Shell: Cold Roll Steel, Finish: Au Plated	2
Item	Part Name	Material / Finish	Q'ty

Plug	Color	Conn.
1	Red	1
2	White	2
3	Green	3
4	Black	4
8	Blue	5
9	Yellow	6
7	Drain	7
5	Purple	8
6	Orange	9
Shell	Braid	Shell

Wiring Diagram

GT218320-02-02	2000 mm	+100
GT218320-02-01	1000 mm	+50
GT218320-02-Z9	900 mm	+50
GT218320-02-Z8	800 mm	+50
GT218320-02-Z7	700 mm	+50
GT218320-02-Z6	600 mm	+50
GT218320-02-Z5	500 mm	+50
GT218320-02-Z4	400 mm	+50
GT218320-02-Z3	300 mm	+25
GT218320-02-Z2	200 mm	+25
GT218320-02-Z1	100 mm	+25
Part No.	Cable Length	Tol.

GT Contact CO.,LTD

NOTICE OF PROPRIETARY PROPERTY:
THE INFORMATION CONTAINED HEREIN IS THE PROPRIETARY PROPERTY OF GT Contact CO.,LTD THE POSSESSOR AGREES TO THE FOLLOWING:
(a) TO MAINTAIN THIS DOCUMENT IN CONFIDENCE
(b) NOT TO REPRODUCE OR COPY IT
(c) NOT TO REVEAL OR PUBLISH IT IN WHOLE OR PART
(d) ALL RIGHTS RESERVED

TITLE						DRAWING NUMBER			REV.	
USB-A 3.0 Metal C3 Cable End Plug Screw with USB-A 3.0 Plug						GT218320-02-XX			A0	
THIRD ANGLE PROJECTION	SIZE	SCALE	DRAW / DATE	CHECK / DATE	APPROVE / DATE	TOLERANCES		UNIT	SHEET	
	B	1:1	Lucas 11/06/15	Lucas 11/06/15	Ray 11/06/15	X.X ± 0.5 X.XX ± 0.2	X.XXX ± 0.05 ANGLES ± 1°	mm	1/1	