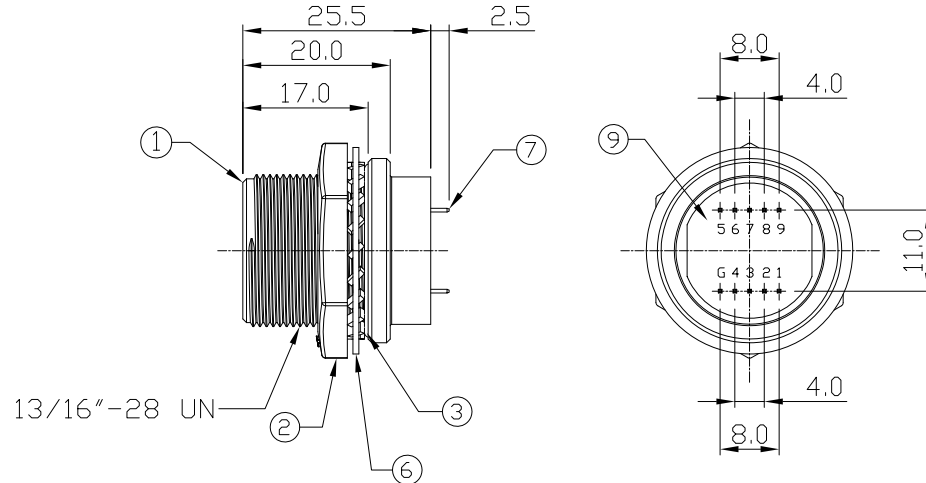
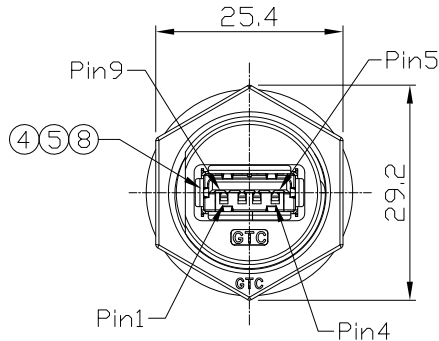


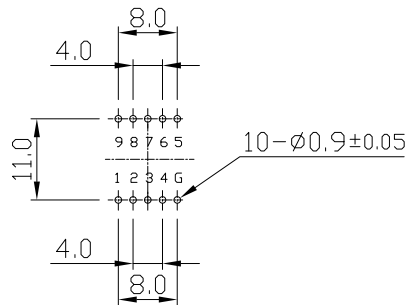
Notes: (Unless Otherwise Specified)

1. Waterproof Rate: IP68.
2. Recommend Panel Thickness: 0.8 to 6.0 mm.
3. Recommend Torque: 19~20 Kgf-cm.
4. Mating Cap P/N: GT2C2150X2/GT1C5331X2.
5. RoHS Compliant.

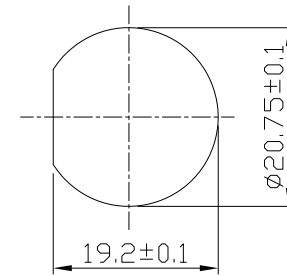
REV	ECN#	DESCRIPTION OF REVISION	DRAW BY DATE	CHECK BY DATE	APPROVE BY DATE
01			Joyce 05/31/16	Lucas 05/31/16	Ray 05/31/16



9	Glue	Epoxy Color: Black	
8	PCB	FR-4 Color: Green	1
7	Pin Header	Housing: Thermoplastic, Color: Black Contacts: Copper Alloy, Finish: Au Plated	2
6	Metal Washer	SUS Color: Green	1
5	EMI Shielded Plate	Copper Finish: Ni Plated	1
4	USB-A 3.0 Receptacle	Housing: Thermoplastic, Color: Blue Contacts: Copper Alloy, Finish: Au Plated Shell: Stainless, Finish: Non	1
3	O-Ring	Silicone Color: Red	1
2	Hex Nut	Zn Alloy Color: Green	1
1	Housing	Zn Alloy Color: Green	1
Item	Part Name	Material / Finish	Qty



Recommend
PCB Layout



Recommend
Panel Cut-Out



GT Contact CO.,LTD

NOTICE OF PROPRIETARY PROPERTY:
THE INFORMATION CONTAINED HEREIN IS THE PROPRIETARY PROPERTY OF GT Contact CO.,LTD THE POSSESSOR AGREES TO THE FOLLOWING:
(A) TO MAINTAIN THIS DOCUMENT IN CONFIDENCE
(B) NOT TO REPRODUCE OR COPY IT
(C) NOT TO REVEAL OR PUBLISH IT IN WHOLE OR PART
(D) ALL RIGHTS RESERVED

TITLE						DRAWING NUMBER			REV.		
USB-A 3.0 Metal C3 Panel Jack Screw Dip						GT218300-10(G)			01		
	B	1:1	Joyce 05/31/16	Lucas 05/31/16	Ray 05/31/16	X.X X.XX	\pm 0.5 \pm 0.2	X.XXX ANGLES	\pm 0.05 \pm 1°	mm	1/1
THIRD ANGLE PROJECTION	SIZE	SCALE	DRAW / DATE	CHECK / DATE	APPROVE / DATE	TOLERANCES		UNIT	SHEET		