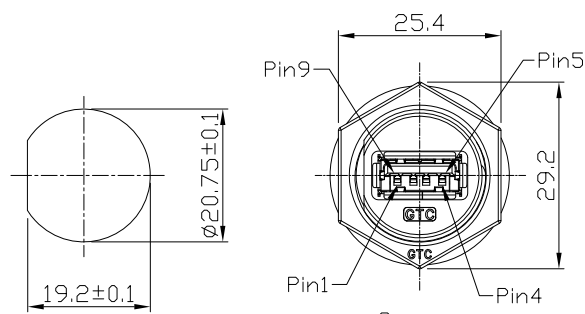


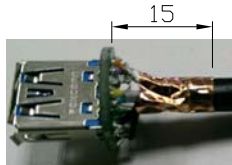
Notes: (Unless Otherwise Specified)

- 1. Waterproof Rate: IP68.
- 2. Recommend Panel Thickness: 0.8 to 6.0 mm.
- 3. Recommend Torque: 19~20 Kgf-cm.
- 4. Mating Cap P/N: GT2C2150X2/GT1C5331X2.
- 5. RoHS & REACH Compliant.

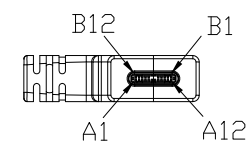
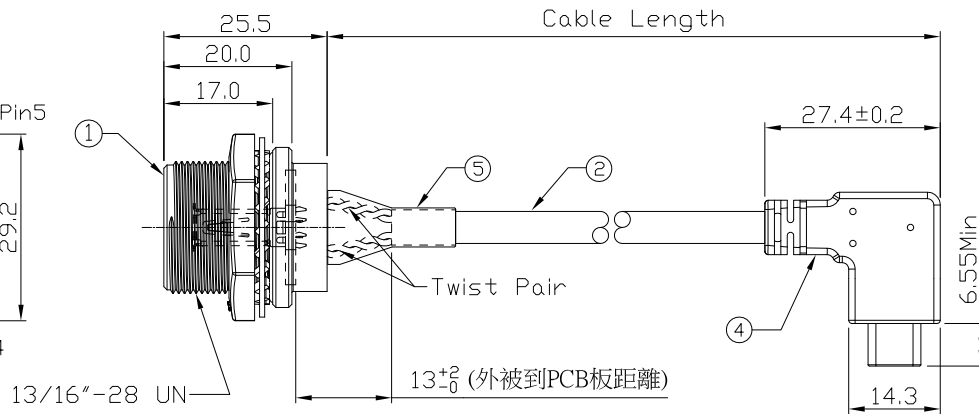
REV	ECN#	DESCRIPTION OF REVISION	DRAW BY DATE	CHECK BY DATE	APPROVE BY DATE
A0			Jenny 05/10/22	Lucas 05/10/22	Ray 05/10/22



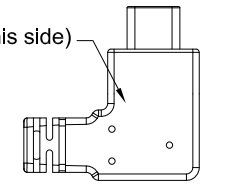
Recommend Panel Cut-Out



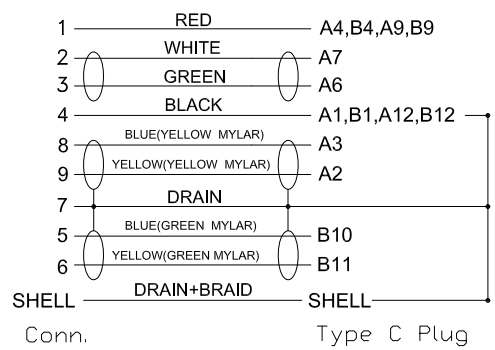
USB3.0兩對線鋁箔跟PCB板距離2~3mm
 編織需跟雙面導電銅箔導通跟PCB板距離4~5mm



(A1,A12 is on this side)



Type C Plug



Wiring Diagram



GT218300-0D-02	2000 mm	+100
GT218300-0D-01	1000 mm	+50
GT218300-0D-29	900 mm	+50
GT218300-0D-28	800 mm	+50
GT218300-0D-27	700 mm	+50
GT218300-0D-26	600 mm	+50
GT218300-0D-25	500 mm	+50
GT218300-0D-24	400 mm	+50
GT218300-0D-23	300 mm	+25
GT218300-0D-22	200 mm	+25
GT218300-0D-21	100 mm	+25
Part No.	Cable Length	Tol.

Item	Part Name	Material / Finish	Q'ty
5	Shrink Tube	L=25mm, Heat Shrink Tube With Adhesive Lined Color: Black	1
4	Over Mold	PVC Color: Black	1
3	USB Type C 31 Plug	Housing: Thermoplastic, Color: Black Contacts: Copper Alloy, Finish: Au Plated Shell: Stainless Steel, Finish: Au Plated	1
2	Cable	UL2725 (1P/30#+EAM)*2+(1P/30#)+(2C/24#)+AEB(AL)65% Color: Black, DD=5.0mm PVC JACKET.	1
1	USB-A 3.0 C3 Panel Jack	GT Contact P/N: GT218300-01-XX	1

TITLE						DRAWING NUMBER			REV.	
USB-A 3.0 Metal C3 Panel Jack Screw With Type C Plug Right Angle Right/Left						GT218300-0D-XX			A0	
DD NOT SCALE DRAWINGS	B	1:1	Jenny 05/10/22	Lucas 05/10/22	Ray 05/10/22	X.X ± 0.5 X.XX ± 0.2	X.XXX ± 0.05 ANGLES ± 1°	mm	1/1	
THIRD ANGLE PROJECTION	SIZE	SCALE	DRAW / DATE	CHECK / DATE	APPROVE / DATE	TOLERANCES		UNIT	SHEET	

GT Contact CO.,LTD

NOTICE OF PROPRIETARY PROPERTY:

THE INFORMATION CONTAINED HEREIN IS THE PROPRIETARY PROPERTY OF GT CONTACT CO.,LTD THE POSSESSOR AGREES TO THE FOLLOWING:

(1) TO MAINTAIN THIS DOCUMENT IN CONFIDENCE

(2) NOT TO REPRODUCE OR COPY IT

(3) NOT TO REVEAL OR PUBLISH IT IN WHOLE OR PART

(4) ALL RIGHTS RESERVED