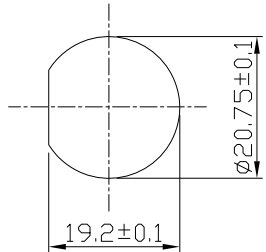


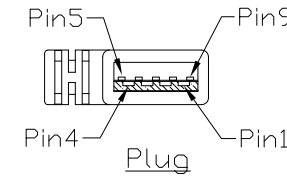
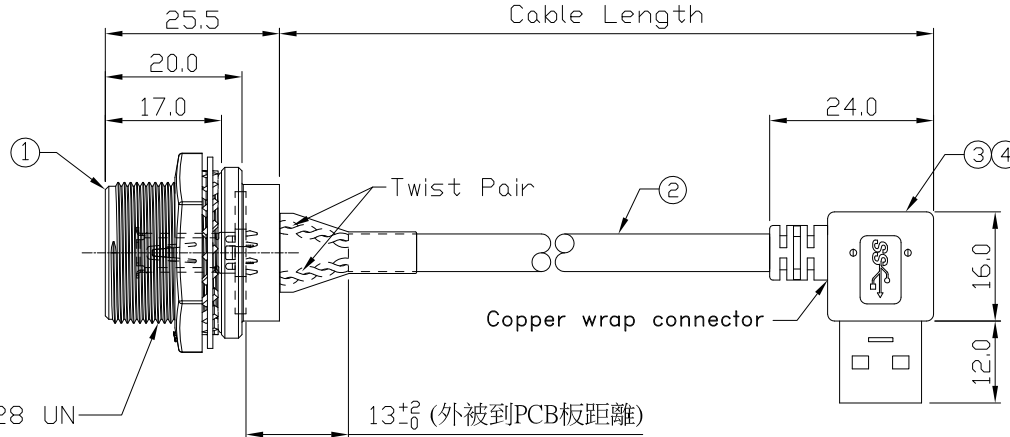
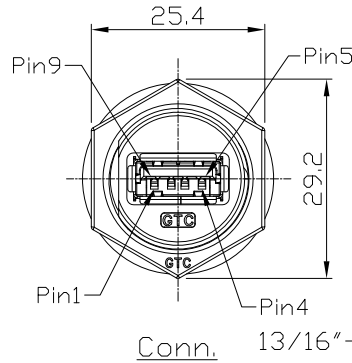
Notes: (Unless Otherwise Specified)

- 1. Waterproof Rate: IP68.
- 2. Recommend Panel Thickness: 0.8 to 6.0 mm.
- 3. Recommend Torque: 19~20 Kgf-cm.
- 4. Mating Cap P/N: GT2C2150X2/GT1C5331X2.
- 5. RoHS Compliant.

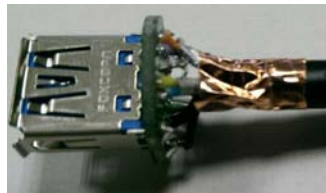
| REV | ECN# | DESCRIPTION OF REVISION | DRAW BY DATE | CHECK BY DATE | APPROVE BY DATE |
|-----|------|-------------------------|----------------|----------------|-----------------|
| 01 | | | Jenny 06/02/22 | Lucas 06/02/22 | Ray 06/02/22 |



Recommend Panel Cut-Out



GTC
DOC.CENTER.ISSUE
JUN.02.2022
ONLY FOR
RELEASE



USB3.0兩對線鋁箔跟PCB板距離2~3mm
編織需跟雙面導電銅箔導通跟PCB板距離4~5mm

| | | |
|-------|--------|-------|
| 1 | Red | 1 |
| 2 | White | 2 |
| 3 | Green | 3 |
| 4 | Black | 4 |
| 5 | Blue | 5 |
| 6 | Drain | 6 |
| 7 | Purple | 7 |
| 8 | Orange | 8 |
| 9 | Orange | 9 |
| Shell | Braid | Shell |

Conn. Wiring Diagram Plug

| | | |
|----------------|--------------|------|
| GT218300-0A-02 | 2000 mm | +100 |
| GT218300-0A-01 | 1000 mm | +50 |
| GT218300-0A-Z9 | 900 mm | +50 |
| GT218300-0A-Z8 | 800 mm | +50 |
| GT218300-0A-Z7 | 700 mm | +50 |
| GT218300-0A-Z6 | 600 mm | +50 |
| GT218300-0A-Z5 | 500 mm | +50 |
| GT218300-0A-Z4 | 400 mm | +50 |
| GT218300-0A-Z3 | 300 mm | +25 |
| GT218300-0A-Z2 | 200 mm | +25 |
| GT218300-0A-Z1 | 100 mm | +25 |
| Part No. | Cable Length | Tol. |

| | | | |
|------|-------------------------|--|------|
| 4 | Over Mold | PVC Color: Black | 1 |
| 3 | USB-A 3.0 Plug | Housing: Thermoplastic, Color: Blue Contacts: Copper Alloy, Finish: Au Plated Shell: SPCC, Finish: Ni Plated | 1 |
| 2 | Cable | UL2725 (1P*28AWG(EAM)*2+(1PR*28AWG+A)+2C*22AWG+AB 85% Color: Black, OD=5.5mm | 1 |
| 1 | USB-A 3.0 C3 Panel Jack | GT Contact P/N: GT218300-01-XX | 1 |
| Item | Part Name | Material / Finish | Q'ty |

| | | | | | | | | |
|--|-----------|--------------|-------------------------------|----------------------------------|--------------------------------|---------------------------------------|------------|--------------|
| TITLE USB-A 3.0 Metal C3 Panel Jack Screw With USB-A 3.0 Plug Right Angle | | | | DRAWING NUMBER GT218300-0A-XX | | | REV. 01 | |
| THIRD ANGLE PROJECTION | SIZE B | SCALE 1:1 | DRAW / DATE Jenny 06/02/22 | CHECK / DATE Lucas 06/02/22 | APPROVE / DATE Ray 06/02/22 | TOLERANCES X.X ± 0.5 X.XX ± 0.2 | UNIT mm | SHEET 1/1 |

GT Contact CO.,LTD

NOTICE OF PROPRIETARY PROPERTY:
THE INFORMATION CONTAINED HEREIN IS THE PROPRIETARY PROPERTY OF GT CONTACT CO.,LTD THE POSSESSOR AGREES TO THE FOLLOWING:
(a) TO MAINTAIN THIS DOCUMENT IN CONFIDENCE
(b) NOT TO REPRODUCE OR COPY IT
(c) NOT TO REVEAL OR PUBLISH IT IN WHOLE OR PART
(d) ALL RIGHTS RESERVED