

1

2

3

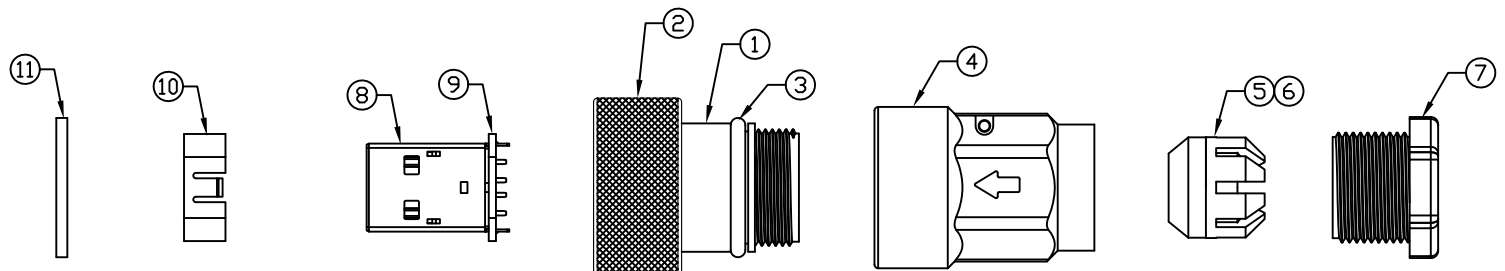
4

Notes: (Unless Otherwise Specified)

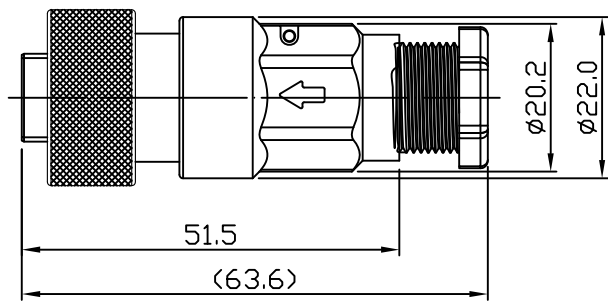
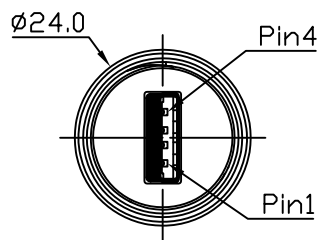
- 1. Waterproof Rate: IP68.
- 2. Suitable Cable \varnothing D=4.0mm To 6.0 mm.
- 3. Recommend Cover Torque: 6~7 Kgf-cm.
- 4. Recommend Gland Nut Torque: 9~10 Kgf-cm.
- 5. RoHS Compliant.

REV	ECN#	DESCRIPTION OF REVISION	DRAW BY DATE	CHECK BY DATE	APPROVE BY DATE
01			Hank 12/22/15	Lucas 12/22/15	Ray 12/22/15

GTC
R&D DEPT. ISSUE
DEC.24.2015
ONLY FOR
RELEASE



11	Rubber Pad	Silicone Color: Black	1
10	Holder	Thermoplastic Color: Black	1
9	PCB	FR-4 Color: -	1
8	USB-A Plug	Housing: Thermoplastic, Color: Black Contacts: Copper Alloy, Finish: Au Plated Shell: Copper Alloy, Finish: Ni Plated	1
7	Gland Nut	Thermoplastic Color: Black	1
6	Cage	Thermoplastic Color: White	1
5	Gland	Silicone Color: Green	1
4	Cover	Thermoplastic Color: Black	1
3	O-Ring	Silicone Color: Red	1
2	Screw Nut	Copper Alloy Finish: Ni Plated	1
1	Housing	Thermoplastic Color: Black	1
Item	Part Name	Material / Finish	Q'ty



GT Contact CO.,LTD

NOTICE OF PROPRIETARY PROPERTY:
THE INFORMATION CONTAINED HEREIN IS THE PROPRIETARY PROPERTY OF GT Contact CO.,LTD THE POSSESSOR AGREES TO THE FOLLOWING:
 (1) TO MAINTAIN THIS DOCUMENT IN CONFIDENCE
 (2) NOT TO REPRODUCE OR COPY IT
 (3) NOT TO REVEAL OR PUBLISH IT IN WHOLE OR PART
 (4) ALL RIGHTS RESERVED

TITLE						DRAWING NUMBER			REV.	
USB-A Metal C3 Field Installable Cable End Screw						GT216370-00			01	
	B	1:1	Hank 12/22/15	Lucas 12/22/15	Ray 12/22/15	X.X ± 0.5 X.XX ± 0.2	X.XXX ± 0.05 ANGLES ± 1°	mm	1/1	
THIRD ANGLE PROJECTION	SIZE	SCALE	DRAW / DATE	CHECK / DATE	APPROVE / DATE	TOLERANCES		UNIT	SHEET	

1

2

3

4