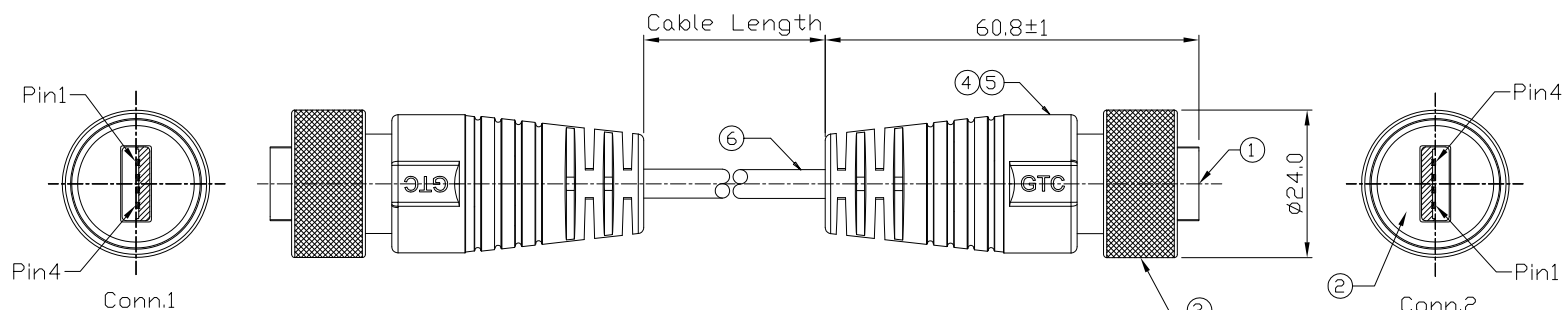


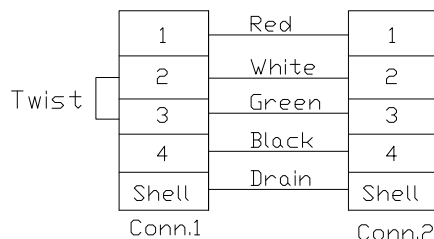
Notes: (Unless Otherwise Specified)
 1. Waterproof Rate: IP68.
 2. RoHS Compliant.

REV	ECN#	DESCRIPTION OF REVISION	DRAW BY DATE	CHECK BY DATE	APPROVE BY DATE
01			Viola 11/09/17	Lucas 11/09/17	Ray 11/09/17

GTC
 DOC.CENTER.ISSUE
 NOV.13.2017
 ONLY FOR
 RELEASE



GT216320-0M-10	10000 mm	+500
GT216320-0M-09	9000 mm	+450
GT216320-0M-08	8000 mm	+400
GT216320-0M-07	7000 mm	+150
GT216320-0M-06	6000 mm	+150
GT216320-0M-05	5000 mm	+150
GT216320-0M-04	4000 mm	+150
GT216320-0M-03	3000 mm	+100
GT216320-0M-02	2000 mm	+100
GT216320-0M-01	1000 mm	+50
GT216320-0M-Z9	900 mm	+50
GT216320-0M-Z8	800 mm	+50
GT216320-0M-Z7	700 mm	+50
GT216320-0M-Z6	600 mm	+50
GT216320-0M-Z5	500 mm	+50
GT216320-0M-Z4	400 mm	+50
GT216320-0M-Z3	300 mm	+25
GT216320-0M-Z2	200 mm	+25
Part No.	Cable Length	Tol.



Wiring Diagram

6	Cable	UL2725 1P*28AWG+2C*24AWG+Al/My+D+B(UV) Color: Black,DD=5.0mm	1
5	Over Mold	PVC Color: Black	2
4	Inner Mold	Thermoplastic Color: Black	2
3	Metal Screw Nut	Copper Alloy Finish: Ni Plated	2
2	Rubber Pad	Silicone Color: Black	2
1	USB-A Plug	Housing: Thermoplastic, Color: Black Contacts: Copper Alloy, Finish: Au Plated Shell: SPCC, Finish: Ni Plated	2
Item	Part Name	Material / Finish	Q'ty

TITLE						DRAWING NUMBER			REV.	
USB-A Metal C3 Twin-Head Plug Screw						GT216320-0M-XX			01	
	B	1:1	Viola 11/09/17	Lucas 11/09/17	Ray 11/09/17	X.X ± 0.5 X.XX ± 0.2	X.XXX ± 0.05 ANGLES ± 1°	mm	1/1	
THIRD ANGLE PROJECTION	SIZE	SCALE	DRAW / DATE	CHECK / DATE	APPROVE / DATE	TOLERANCES		UNIT	SHEET	

GT Contact CO.,LTD

NOTICE OF PROPRIETARY PROPERTY:
 THE INFORMATION CONTAINED HEREIN IS THE PROPRIETARY PROPERTY OF GT Contact CO.,LTD THE POSSESSOR AGREES TO THE FOLLOWING:
 (i) TO MAINTAIN THIS DOCUMENT IN CONFIDENCE
 (ii) NOT TO REPRODUCE OR COPY IT
 (iii) NOT TO REVEAL OR PUBLISH IT IN WHOLE OR PART
 (iv) ALL RIGHTS RESERVED