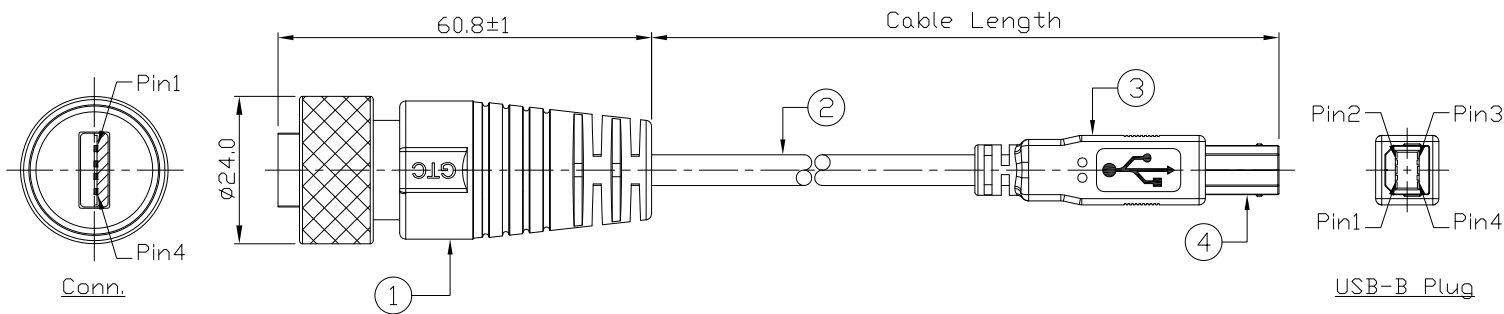


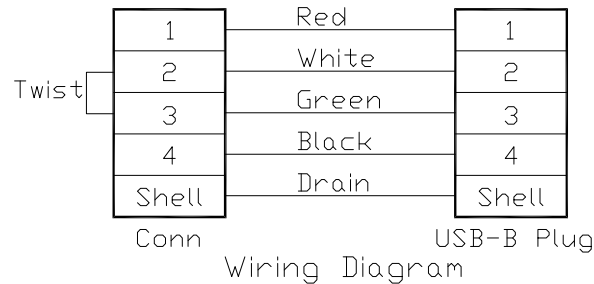
Notes: (Unless Otherwise Specified)

1. Waterproof Rate: Unmated IP68.
2. RoHS Compliant.

REV	ECN#	DESCRIPTION OF REVISION	DRAW BY DATE	CHECK BY DATE	APPROVE BY DATE
01			Aileen 05/05/22	Lucas 05/05/22	Ray 05/05/22



GT216320-09-10	10000 mm	+500
GT216320-09-09	9000 mm	+450
GT216320-09-08	8000 mm	+400
GT216320-09-07	7000 mm	+150
GT216320-09-06	6000 mm	+150
GT216320-09-05	5000 mm	+150
GT216320-09-04	4000 mm	+150
GT216320-09-03	3000 mm	+100
GT216320-09-02	2000 mm	+100
GT216320-09-01	1000 mm	+50
GT216320-09-Z9	900 mm	+50
GT216320-09-Z8	800 mm	+50
GT216320-09-Z7	700 mm	+50
GT216320-09-Z6	600 mm	+50
GT216320-09-Z5	500 mm	+50
GT216320-09-Z4	400 mm	+50
GT216320-09-Z3	300 mm	+25
GT216320-09-Z2	200 mm	+25
Part No.	Cable Length	Tol.



4	USB-B Plug	Housing: Thermoplastic, Color: Black Contacts: Copper Alloy, Finish: Au Plated Shell: Cold Roll Steel, Finish: Ni Plated	1
3	Over Mold	PVC Color: Black	1
2	Cable	UL2725 IP*28AWG+2C*24AWG+Al/My+D+B OD=5.0mm, Color: Black	1
1	USB-A Metal C3 Cable End Plug Screw	GT Contact P/N: GT216320-XX	1
Item	Part Name	Material / Finish	Q'ty

TITLE						DRAWING NUMBER			REV.
USB-A Metal C3 Cable End Plug Screw With USB-B Plug						GT216320-09-XX			01
	B	1:1	Aileen 05/05/22	Lucas 05/05/22	Ray 05/05/22	X.X ± 0.5 X.XX ± 0.2	X.XXX ± 0.05 ANGLES ± 1°	mm	1/1
THIRD ANGLE PROJECTION	SIZE	SCALE	DRAW / DATE	CHECK / DATE	APPROVE / DATE	TOLERANCES		UNIT	SHEET

GT Contact CO.,LTD

NOTICE OF PROPRIETARY PROPERTY:
THE INFORMATION CONTAINED HEREIN IS THE PROPRIETARY PROPERTY OF GT Contact CO.,LTD THE POSSESSOR AGREES TO THE FOLLOWING:
(i) TO MAINTAIN THIS DOCUMENT IN CONFIDENCE
(ii) NOT TO REPRODUCE OR COPY IT
(iii) NOT TO REVEAL OR PUBLISH IT IN WHOLE OR PART
(iv) ALL RIGHTS RESERVED