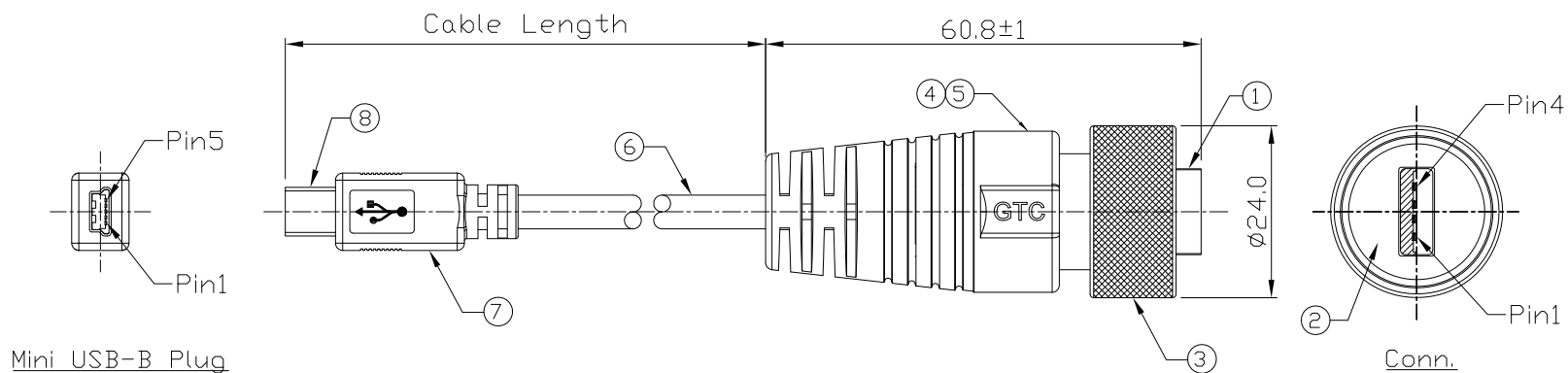


Notes: (Unless Otherwise Specified)

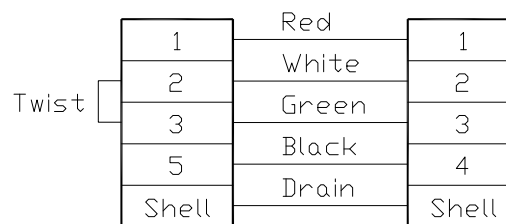
1. Waterproof Rate: IP68.
2. RoHS Compliant.

REV	ECN#	DESCRIPTION OF REVISION	DRAW BY DATE	CHECK BY DATE	APPROVE BY DATE
A0		Mass Production	Joyce 10/06/14	Lucas 10/06/14	Ray 10/06/14

GTC
DOC.CENTER.ISSUE
OCT.06.2014
ONLY FOR
RELEASE



Part No.	Cable Length	Tol.
GT216320-07-10	10000 mm	±500
GT216320-07-09	9000 mm	±450
GT216320-07-08	8000 mm	±400
GT216320-07-07	7000 mm	±150
GT216320-07-06	6000 mm	±150
GT216320-07-05	5000 mm	±150
GT216320-07-04	4000 mm	±150
GT216320-07-03	3000 mm	±150
GT216320-07-02	2000 mm	±100
GT216320-07-01	1000 mm	±50
GT216320-07-Z9	900 mm	±40
GT216320-07-Z8	800 mm	±40
GT216320-07-Z7	700 mm	±40
GT216320-07-Z6	600 mm	±40
GT216320-07-Z5	500 mm	±40
GT216320-07-Z4	400 mm	±20
GT216320-07-Z3	300 mm	±20
GT216320-07-Z2	200 mm	±10



Item	Part Name	Material / Finish	Q'ty
8	Mini USB-B Plug	Housing: Thermoplastic, Color: Black Contacts: Copper Alloy, Finish: Au Plated Shell: Cold Roll Steel, Finish: Ni Plated	1
7	Over Mold	PVC Color: Black	1
6	Cable	UL2725 1P*28AWG+2C*24AWG+Al/My+D+B(UV) Color: Black, DD=5.0mm	1
5	Over Mold	PVC Color: Black	1
4	Inner Mold	Thermoplastic Color: Black Or White	1
3	Metal Screw Nut	Copper Alloy Finish: Ni Plated	1
2	Rubber Pad	Silicone Color: Black	1
1	USB-A Plug	Housing: Thermoplastic, Color: Black Contacts: Copper Alloy, Finish: Au Plated Shell: Cold Roll Steel, Finish: Ni Plated	1

TITLE						DRAWING NUMBER			REV.	
USB-A Metal C3 Cable End Plug Screw + Mini USB-B Plug						GT216320-07-XX			A0	
THIRD ANGLE PROJECTION	SIZE	SCALE	DRAW / DATE	CHECK / DATE	APPROVE / DATE	TOLERANCES		UNIT	SHEET	
	B	1:1	Joyce 10/06/14	Lucas 10/06/14	Ray 10/06/14	X.X ± 0.5 X.XX ± 0.2	X.XXX ± 0.05 ANGLES ± 1°	mm	1/1	

GT Contact CO.,LTD

NOTICE OF PROPRIETARY PROPERTY:
THE INFORMATION CONTAINED HEREIN IS THE PROPRIETARY PROPERTY OF GT CONTACT CO.,LTD THE POSSESSOR AGREES TO THE FOLLOWING:
(1) TO MAINTAIN THIS DOCUMENT IN CONFIDENCE
(2) NOT TO REPRODUCE OR COPY IT
(3) NOT TO REVEAL OR PUBLISH IT IN WHOLE OR PART
(4) ALL RIGHTS RESERVED