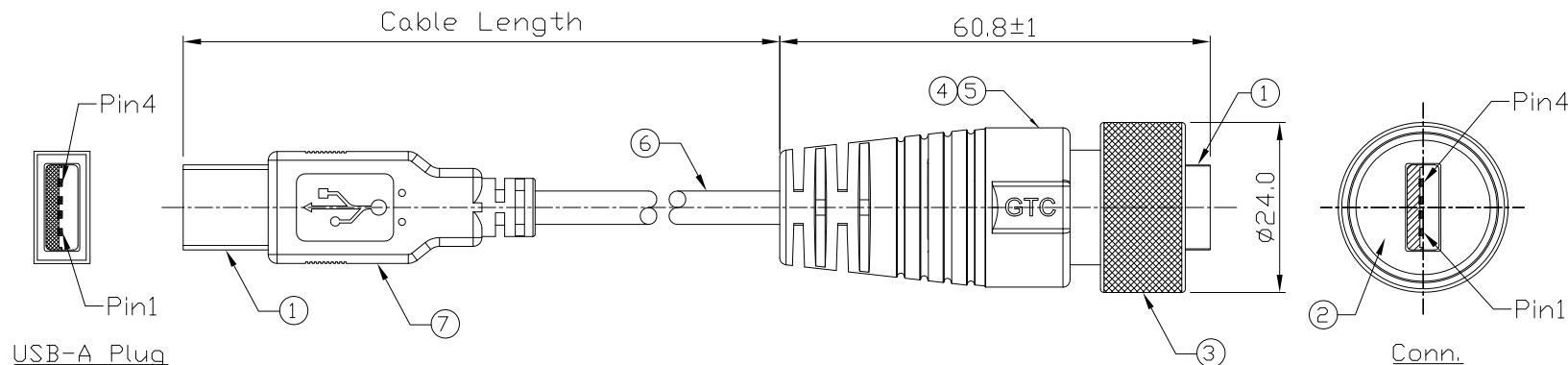


Notes: (Unless Otherwise Specified)

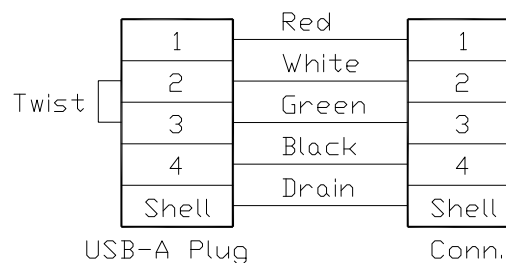
1. Waterproof Rate: IP68.
2. RoHS Compliant.

REV	ECN#	DESCRIPTION OF REVISION	DRAW BY DATE	CHECK BY DATE	APPROVE BY DATE
A0		Mass Production	Joyce 10/03/14	Lucas 10/03/14	Ray 10/03/14

GTC
DOC.CENTER.ISSUE
OCT.06.2014
ONLY FOR
RELEASE



Part No.	Cable Length	Tol.
GT216320-05-10	10000 mm	±500
GT216320-05-09	9000 mm	±450
GT216320-05-08	8000 mm	±400
GT216320-05-07	7000 mm	±150
GT216320-05-06	6000 mm	±150
GT216320-05-05	5000 mm	±150
GT216320-05-04	4000 mm	±150
GT216320-05-03	3000 mm	±150
GT216320-05-02	2000 mm	±100
GT216320-05-01	1000 mm	±50
GT216320-05-29	900 mm	±40
GT216320-05-28	800 mm	±40
GT216320-05-27	700 mm	±40
GT216320-05-26	600 mm	±40
GT216320-05-25	500 mm	±40
GT216320-05-24	400 mm	±20
GT216320-05-23	300 mm	±20
GT216320-05-22	200 mm	±10



Item	Part Name	Material / Finish	Q'ty
7	Over Mold	PVC Color: Black	1
6	Cable	UL2725 1P*28AWG+2C*24AWG+Al/My+D+B(UV) Color: Black, DD=5.0mm	1
5	Over Mold	PVC Color: Black	1
4	Inner Mold	Thermoplastic Color: Black Or White	1
3	Metal Screw Nut	Copper Alloy Finish: Ni Plated	1
2	Rubber Pad	Silicone Color: Black	1
1	USB-A Plug	Housing: Thermoplastic, Color: Black Contacts: Copper Alloy, Finish: Au Plated Shell: Cold Roll Steel, Finish: Ni Plated	2

TITLE						DRAWING NUMBER			REV.	
USB-A Metal C3 Cable End Plug Screw + USB-A Plug						GT216320-05-XX			A0	
THIRD ANGLE PROJECTION	SIZE	SCALE	DRAW / DATE	CHECK / DATE	APPROVE / DATE	TOLERANCES	UNIT	SHEET		
	B	1:1	Joyce 10/03/14	Lucas 10/03/14	Ray 10/03/14	X.X ± 0.5 X.XX ± 0.2	mm	1/1		
						X.XXX ± 0.05 ANGLES ± 1°				

GT Contact CO.,LTD

NOTICE OF PROPRIETARY PROPERTY:

THE INFORMATION CONTAINED HEREIN IS THE PROPRIETARY PROPERTY OF GT Contact CO.,LTD THE POSSESSOR AGREES TO THE FOLLOWING:

(A) TO MAINTAIN THIS DOCUMENT IN CONFIDENCE
(B) NOT TO REPRODUCE OR COPY IT
(C) NOT TO REVEAL OR PUBLISH IT IN WHOLE OR PART
(D) ALL RIGHTS RESERVED