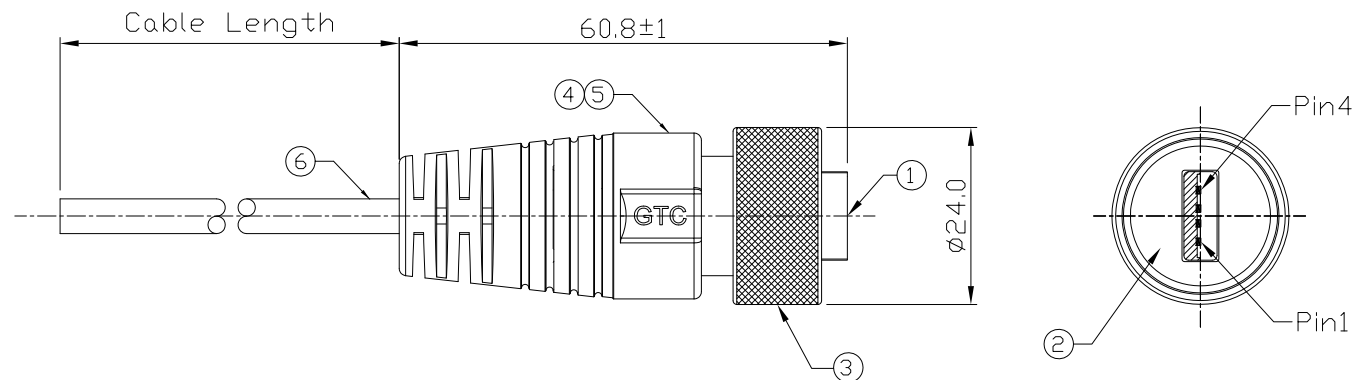


Notes: (Unless Otherwise Specified)
 1. Waterproof Rate: IP68.
 2. RoHS Compliant.

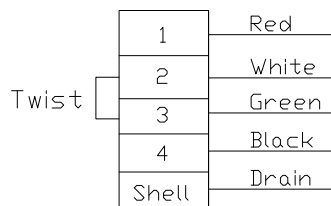
REV	ECN#	DESCRIPTION OF REVISION	DRAW BY DATE	CHECK BY DATE	APPROVE BY DATE
01			Hank 08/07/15	Lucas 08/07/15	Ray 08/07/15

GTC
 R&D DEPT. ISSUE
 AUG.25.2015
 ONLY FOR
 RELEASE



GT216320-01-10(G)	10000 mm	±500
GT216320-01-09(G)	9000 mm	±450
GT216320-01-08(G)	8000 mm	±400
GT216320-01-07(G)	7000 mm	±150
GT216320-01-06(G)	6000 mm	±150
GT216320-01-05(G)	5000 mm	±150
GT216320-01-04(G)	4000 mm	±150
GT216320-01-03(G)	3000 mm	±150
GT216320-01-02(G)	2000 mm	±100
GT216320-01-01(G)	1000 mm	±50
GT216320-01-Z9(G)	900 mm	±40
GT216320-01-Z8(G)	800 mm	±40
GT216320-01-Z7(G)	700 mm	±40
GT216320-01-Z6(G)	600 mm	±40
GT216320-01-Z5(G)	500 mm	±40
GT216320-01-Z4(G)	400 mm	±20
GT216320-01-Z3(G)	300 mm	±20
GT216320-01-Z2(G)	200 mm	±10

6	Cable	UL2725 1P*28AWG+2C*24AWG+Al/My+D+B(UV) Color: Black,DD=5.0mm	1
5	Over Mold	PVC Color: Black	1
4	Inner Mold	Thermoplastic Color: Black	1
3	Metal Screw Nut	Copper Alloy Color: Green	1
2	Rubber Pad	Silicone Color: Black	1
1	USB-A Plug	Housing: Thermoplastic, Color: Black Contacts: Copper Alloy, Finish: Au Plated Shell: SPCC, Finish: Ni Plated	1
Item	Part Name	Material / Finish	Q'ty



Wiring Diagram

Part No.	Cable Length	Tol.

GT Contact CO.,LTD

NOTICE OF PROPRIETARY PROPERTY:
 THE INFORMATION CONTAINED HEREIN IS THE PROPRIETARY PROPERTY OF GT Contact CO.,LTD THE POSSESSOR AGREES TO THE FOLLOWING:
 (a) TO MAINTAIN THIS DOCUMENT IN CONFIDENCE
 (b) NOT TO REPRODUCE OR COPY IT
 (c) NOT TO REVEAL OR PUBLISH IT IN WHOLE OR PART
 (d) ALL RIGHTS RESERVED

TITLE						DRAWING NUMBER			REV.
USB-A Metal C3 Cable End Plug Screw						GT216320-01-XX(G)			01
	B	1:1	Hank 08/07/15	Lucas 08/07/15	Ray 08/07/15	X.X ± 0.5 X.XX ± 0.2	X.XXX ± 0.05 ANGLES ± 1°	mm	1/1
THIRD ANGLE PROJECTION	SIZE	SCALE	DRAW / DATE	CHECK / DATE	APPROVE / DATE	TOLERANCES		UNIT	SHEET