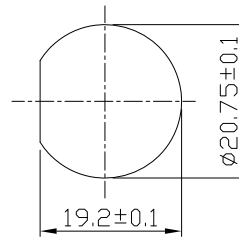
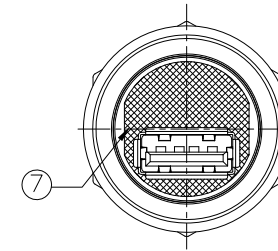
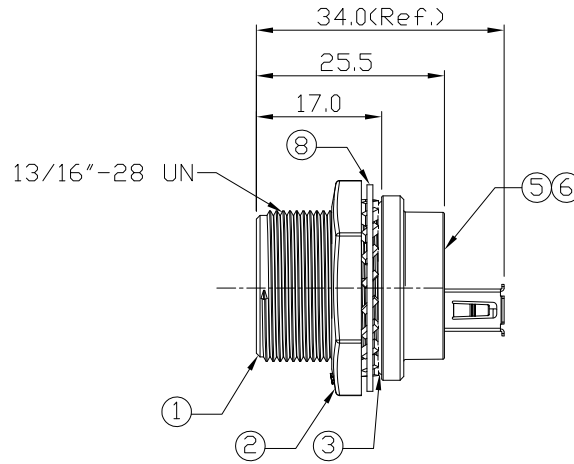
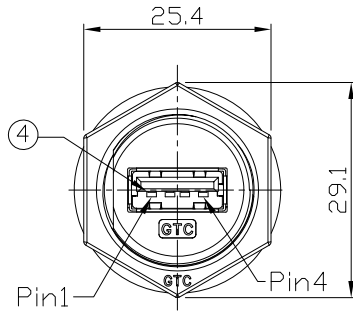


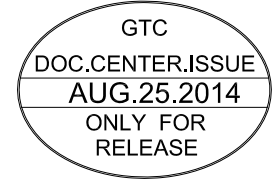
Notes: (Unless Otherwise Specified)

1. Waterproof Rate : IP68.
2. Recommend Panel Thickness : 0.8 to 6.0 mm.
3. Recommend Torque: 19~20 Kgf-cm.
4. Mating Cap P/N: GT2C2150X2/GT1C5331X2.
5. RoHS Compliant.

REV	ECN#	DESCRIPTION OF REVISION	DRAW BY DATE	CHECK BY DATE	APPROVE BY DATE
A0		Mass Production	Joyce 08/20/14	Lucas 08/20/14	Ray 08/20/14



Recommend
Panel Cut-Out



8	Metal Washer	SUS Finish: -	1
7	Glue	Epoxy Color: Black	
6	EMI Shielded Plate	Copper Finish: Ni Plated	1
5	PCB	FR-4 Color: Green	1
4	USB-A Receptacle	Housing: Thermoplastic, Color: Black Contacts: Copper Alloy, Finish: Au Plated Shell: Copper Alloy, Finish: Ni Plated	2
3	O-Ring	Silicone Color: Red	1
2	Hex Nut	Zn Alloy Finish: Ni Plated	1
1	Housing	Zn Alloy Finish: Ni Plated	1
Item	Part Name	Material / Finish	Q'ty

TITLE						DRAWING NUMBER			REV.
USB-A Metal C3 Panel Jack Screw With Coupler						GT216300-30			A0
	B	1:1	Joyce 08/20/14	Lucas 08/20/14	Ray 08/20/14	X.X ± 0.5 X.XX ± 0.2	X.XXX ± 0.05 ANGLES ± 1°	mm	1/1
THIRD ANGLE PROJECTION	SIZE	SCALE	DRAW / DATE	CHECK / DATE	APPROVE / DATE	TOLERANCES		UNIT	SHEET

GT Contact CO.,LTD	
NOTICE OF PROPRIETARY PROPERTY:	
THE INFORMATION CONTAINED HEREIN IS THE PROPRIETARY PROPERTY OF GT Contact CO.,LTD THE POSSESSOR AGREES TO THE FOLLOWING:	
(a) TO MAINTAIN THIS DOCUMENT IN CONFIDENCE	
(b) NOT TO REPRODUCE OR COPY IT	
(c) NOT TO REVEAL OR PUBLISH IT IN WHOLE OR PART	
(d) ALL RIGHTS RESERVED	