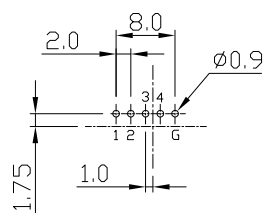
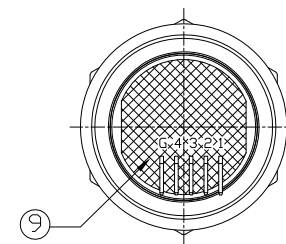
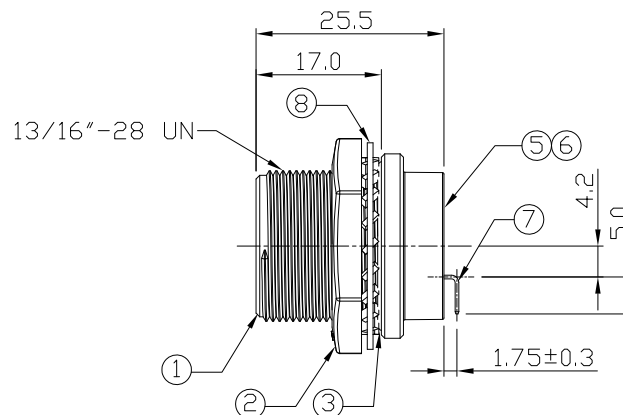
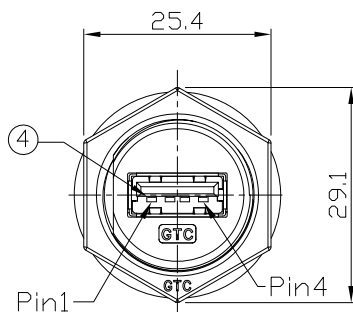


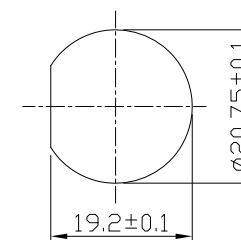
Notes: (Unless Otherwise Specified)

1. Waterproof Rate : IP68.
2. Recommend Panel Thickness : 0.8 to 6.0 mm.
3. Recommend Torque: 19~20 Kgf-cm.
4. Mating Cap P/N: GT2C2150X2/GT1C5331X2.
5. RoHS Compliant.

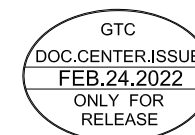
| REV | ECN# | DESCRIPTION OF REVISION | DRAW BY DATE | CHECK BY DATE | APPROVE BY DATE |
|-----|------|-------------------------|-------------------|-------------------|-----------------|
| A0 | | | Lucas 02/24/22 | Lucas 02/24/22 | Ray 02/24/22 |



Recommend PCB Layout



Recommend Panel Cut-Out



| 9 | Glue | Epoxy Color: Black | |
|------|--------------------|---|------|
| 8 | Metal Washer | SUS Finish: - | 1 |
| 7 | Pin Header | Housing: Thermoplastic, Color: Black Contacts: Copper Alloy, Finish: Gold Flash | 1 |
| 6 | EMI Shielded Plate | Copper Finish: Ni Plated | 1 |
| 5 | PCB | FR-4 Color: Green | 1 |
| 4 | USB-A Receptacle | Housing: Thermoplastic, Color: Black Contacts: Copper Alloy, Finish: Au Plated Shell: Copper Alloy, Finish: Ni Plated | 1 |
| 3 | O-Ring | Silicone Color: Red | 1 |
| 2 | Hex Nut | Zn Alloy Finish: Ni Plated | 1 |
| 1 | Housing | Zn Alloy Finish: Ni Plated | 1 |
| Item | Part Name | Material / Finish | Q'ty |

| TITLE | | | | | | DRAWING NUMBER | | | REV. |
|---|------|-------|----------------|----------------|----------------|-------------------------|-----------------------------|-----------|------|
| USB-A Metal C3 Panel Jack Screw Dip 90° | | | | | | GT216300-20 | | | A0 |
| THIRD ANGLE PROJECTION | SIZE | SCALE | DRAW / DATE | CHECK / DATE | APPROVE / DATE | TOLERANCES | UNIT | SHEET | |
| | B | 1:1 | Lucas 02/24/22 | Lucas 02/24/22 | Ray 02/24/22 | X.X ± 0.5 X.XX ± 0.2 | X.XXX ± 0.05 ANGLES ± 1° | mm 1/1 | |

GT Contact CO.,LTD

NOTICE OF PROPRIETARY PROPERTY:
THE INFORMATION CONTAINED HEREIN IS THE PROPRIETARY PROPERTY OF GT Contact CO.,LTD THE POSSESSOR AGREES TO THE FOLLOWING:
(a) TO MAINTAIN THIS DOCUMENT IN CONFIDENCE
(b) NOT TO REPRODUCE OR COPY IT
(c) NOT TO REVEAL OR PUBLISH IT IN WHOLE OR PART
(d) ALL RIGHTS RESERVED