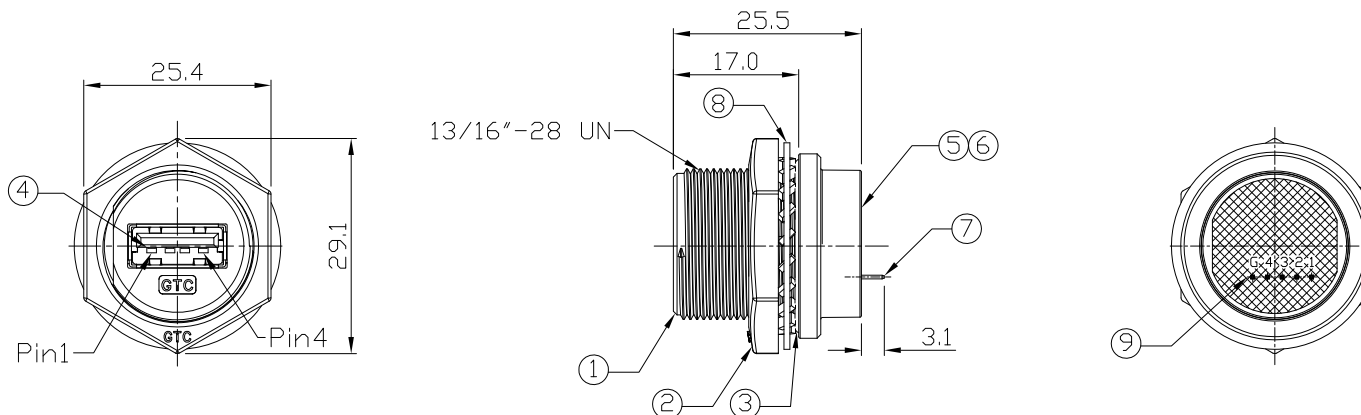


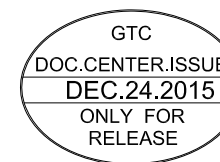
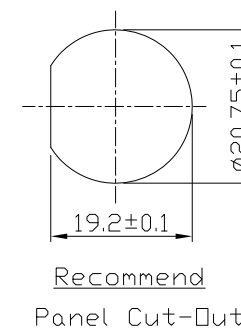
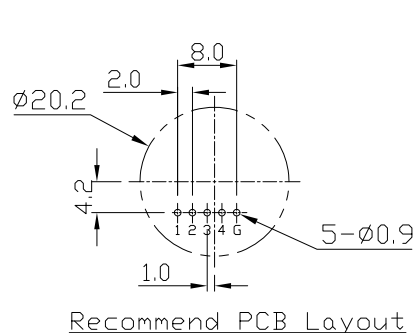
Notes: (Unless Otherwise Specified)

1. Waterproof Rate : IP68.
2. Recommend Panel Thickness : 0.8 to 6.0 mm.
3. Recommend Torque: 19~20 Kgf-cm.
4. Mating Cap P/N: GT2C213012(G)
5. RoHS Compliant.

REV	ECN#	DESCRIPTION OF REVISION	DRAW BY DATE	CHECK BY DATE	APPROVE BY DATE
A0	ECN-151214	Modify PCB Layout	Lucas 12/23/15	Lucas 12/23/15	Ray 12/23/15



9	Glue	Epoxy Color: Black	
8	Metal Washer	SUS Color: Green	1
7	Pin Header	Housing: Thermoplastic, Color: Black Contacts: Copper Alloy, Finish: Gold Flash	1
6	EMI Shielded Plate	Copper Finish: Ni Plated	1
5	PCB	FR-4 Color: Green	1
4	USB-A Receptacle	Housing: Thermoplastic, Color: Black Contacts: Copper Alloy, Finish: Au Plated Shell: Copper Alloy, Finish: Ni Plated	1
3	O-Ring	Silicone Color: Red	1
2	Hex Nut	Zn Alloy Color: Green	1
1	Housing	Zn Alloy Color: Green	1
Item	Part Name	Material / Finish	Q'ty



GT Contact CO.,LTD

NOTICE OF PROPRIETARY PROPERTY:

THE INFORMATION CONTAINED HEREIN IS THE PROPRIETARY PROPERTY OF GT CONTACT CO.,LTD THE POSSESSOR AGREES TO THE FOLLOWING:  
 (A) TO MAINTAIN THIS DOCUMENT IN CONFIDENCE  
 (B) NOT TO REPRODUCE OR COPY IT  
 (C) NOT TO REVEAL OR PUBLISH IT IN WHOLE OR PART  
 (D) ALL RIGHTS RESERVED

TITLE						DRAWING NUMBER			REV.
USB-A Metal C3 Panel Jack Screw Dip						GT216300-10(G)			A0
	B	1:1	Hank 08/07/15	Lucas 08/07/15	Ray 08/07/15	X.X ± 0.5 X.XX ± 0.2	X.XXX ± 0.05 ANGLES ± 1°	mm	1/1
THIRD ANGLE PROJECTION	SIZE	SCALE	DRAW / DATE	CHECK / DATE	APPROVE / DATE	TOLERANCES		UNIT	SHEET