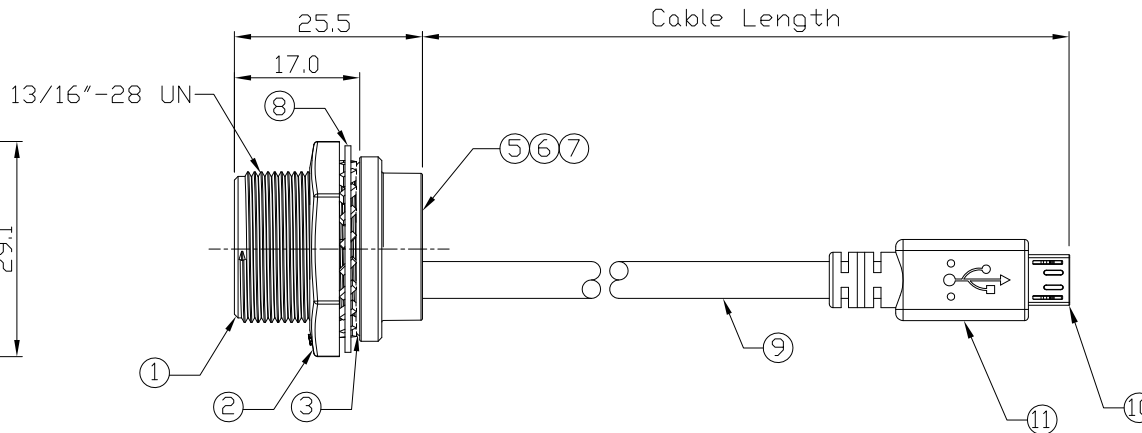
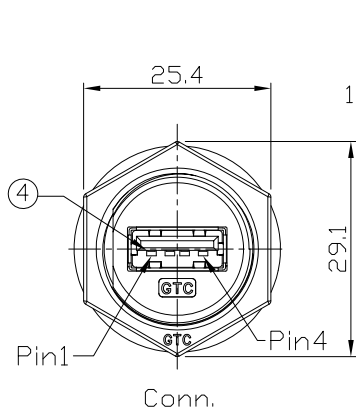


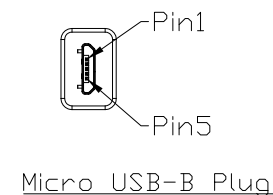
Notes: (Unless Otherwise Specified)

1. Waterproof Rate: IP68.
2. Recommend Panel Thickness: 0.8 to 6.0 mm.
3. Recommend Torque: 19~20 Kgf-cm.
4. Mating Cap P/N: GT2C2150X2/GT1C5331X2.
5. RoHS Compliant.

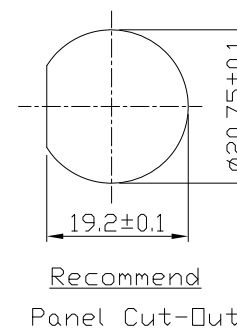
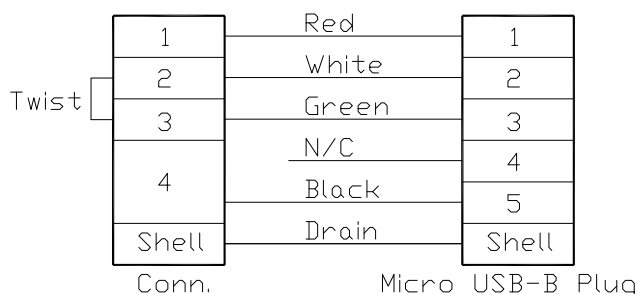
REV	ECN#	DESCRIPTION OF REVISION	DRAW BY DATE	CHECK BY DATE	APPROVE BY DATE
01			Joyce 09/11/14	Lucas 09/11/14	Ray 09/11/14



GTC
R&D DEPT. ISSUE
SEP.11.2014
ONLY FOR
RELEASE



11	Over Mold	PVC Color: Black	1
10	Micro USB-B Plug	Housing: Thermoplastic, Color: Black Contacts: Copper Alloy, Finish: Au Plated Shell: Copper Alloy, Finish: Ni Plated	1
9	Cable	UL2725 1P*28AWG+2C*24AWG+Al/My+D+B OD=5.0mm, Color: Black	1
8	Metal Washer	SUS Finish: -	1
7	EMI Shielded Plate	Copper Finish: Ni Plated	1
6	Glue	Epoxy Color: Black	
5	PCB	FR-4 Color: Green	1
4	USB-A Receptacle	Housing: Thermoplastic, Color: Black Contacts: Copper Alloy, Finish: Au Plated Shell: Copper Alloy, Finish: Ni Plated	1
3	O-Ring	Silicone Color: Red	1
2	Hex Nut	Zn Alloy Finish: Ni Plated	1
1	Housing	Zn Alloy Finish: Ni Plated	1
Item	Part Name	Material / Finish	Qty



GT216300-0P-01	1000 mm	±50
GT216300-0P-Z9	900 mm	±40
GT216300-0P-Z8	800 mm	±40
GT216300-0P-Z7	700 mm	±40
GT216300-0P-Z6	600 mm	±40
GT216300-0P-Z5	500 mm	±40
GT216300-0P-Z4	400 mm	±40
GT216300-0P-Z3	300 mm	±20
GT216300-0P-Z2	200 mm	±20
GT216300-0P-Z1	100 mm	±10
Part No.	Cable Length	Tol.

TITLE						DRAWING NUMBER			REV.	
USB-A Metal C3 Panel Jack Screw + Micro USB-B Plug With Cable						GT216300-0P-XX			01	
THIRD ANGLE PROJECTION	SIZE	SCALE	DRAW / DATE	CHECK / DATE	APPROVE / DATE	TOLERANCES		UNIT	SHEET	
	B	1:1	Joyce 09/11/14	Lucas 09/11/14	Ray 09/11/14	X.X ± 0.5 X.XX ± 0.2	X.XXX ± 0.05 ANGLES ± 1°	mm	1/1	

GT Contact CO.,LTD

NOTICE OF PROPRIETARY PROPERTY:
THE INFORMATION CONTAINED HEREIN IS THE PROPRIETARY PROPERTY OF GT CONTACT CO.,LTD THE POSSESSOR AGREES TO THE FOLLOWING:
(1) TO MAINTAIN THIS DOCUMENT IN CONFIDENCE
(2) NOT TO REPRODUCE OR COPY IT
(3) NOT TO REVEAL OR PUBLISH IT IN WHOLE OR PART
(4) ALL RIGHTS RESERVED