

1

2

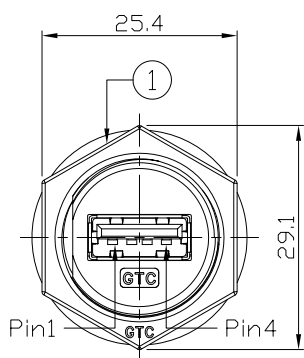
3

4

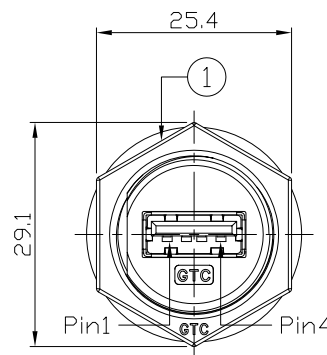
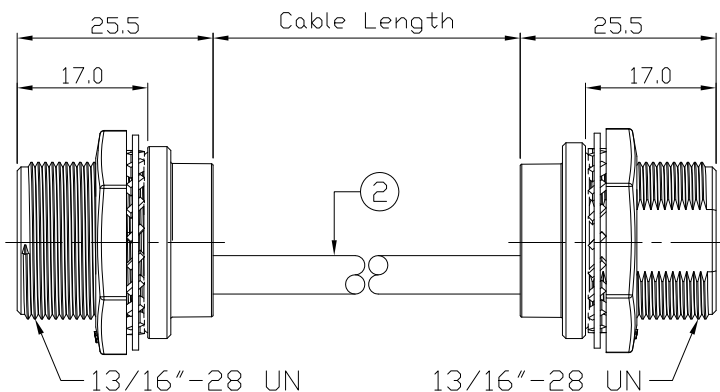
Notes: (Unless Otherwise Specified)

- 1. Waterproof Rate: IP68.
- 2. Recommend Panel Thickness: 0.8 to 6.0 mm.
- 3. Recommend Torque: 19~20 Kgf-cm.
- 4. Mating Cap P/N: GT2C2150X2/GT1C5331X2.
- 5. RoHS Compliant.

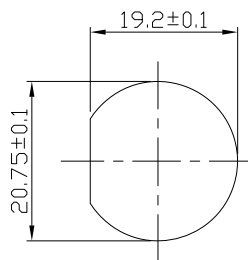
REV	ECN#	DESCRIPTION OF REVISION	DRAW BY DATE	CHECK BY DATE	APPROVE BY DATE
A0			Aileen 02/24/22	Lucas 02/24/22	Ray 02/24/22



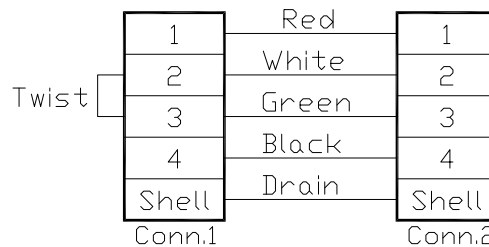
Conn.1



Conn.2



Recommend Panel Cut-Out



Wiring Diagram

GT216300-0M-10	10000 mm	+500
GT216300-0M-09	9000 mm	+450
GT216300-0M-08	8000 mm	+400
GT216300-0M-07	7000 mm	+150
GT116300-0M-06	6000 mm	+150
GT216300-0M-05	5000 mm	+150
GT216300-0M-04	4000 mm	+150
GT216300-0M-03	3000 mm	+100
GT216300-0M-02	2000 mm	+100
GT216300-0M-01	1000 mm	+50
GT216300-0M-Z9	900 mm	+50
GT216300-0M-Z8	800 mm	+50
GT216300-0M-Z7	700 mm	+50
GT216300-0M-Z6	600 mm	+50
GT216300-0M-Z5	500 mm	+50
GT216300-0M-Z4	400 mm	+50
GT216300-0M-Z3	300 mm	+25
GT216300-0M-Z2	200 mm	+25
GT216300-0M-Z1	100 mm	+25

Part No.	Cable Length	Tol.
----------	--------------	------

2	Cable	UL2725 1P*28AWG+2C*24AWG+Al/My+D+B OD=5.0mm, Color: Black	1
1	USB-A Metal C3 Panel Jack Screw	GT Contact P/N: GT216300-0X	2
Item	Part Name	Material / Finish	Q'ty

GT Contact CO.,LTD

NOTICE OF PROPRIETARY PROPERTY:
THE INFORMATION CONTAINED HEREIN IS THE PROPRIETARY PROPERTY OF GT CONTACT CO.,LTD THE POSSESSOR AGREES TO THE FOLLOWING:
(i) TO MAINTAIN THIS DOCUMENT IN CONFIDENCE
(ii) NOT TO REPRODUCE OR COPY IT
(iii) NOT TO REVEAL OR PUBLISH IT IN WHOLE OR PART
(iv) ALL RIGHTS RESERVED

TITLE						DRAWING NUMBER			REV.
Dual USB-A Metal C3 Panel Jack Screw With Cable						GT216300-0M-XX			A0
	B	1:1	Aileen 02/24/22	Lucas 02/24/22	Ray 02/24/22	X.X ± 0.5 X.XX ± 0.2	X.XXX ± 0.05 ANGLES ± 1°	mm	1/1
THIRD ANGLE PROJECTION	SIZE	SCALE	DRAW / DATE	CHECK / DATE	APPROVE / DATE	TOLERANCES		UNIT	SHEET

1

2

3

4