

1

2

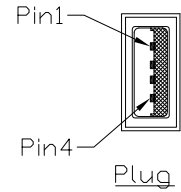
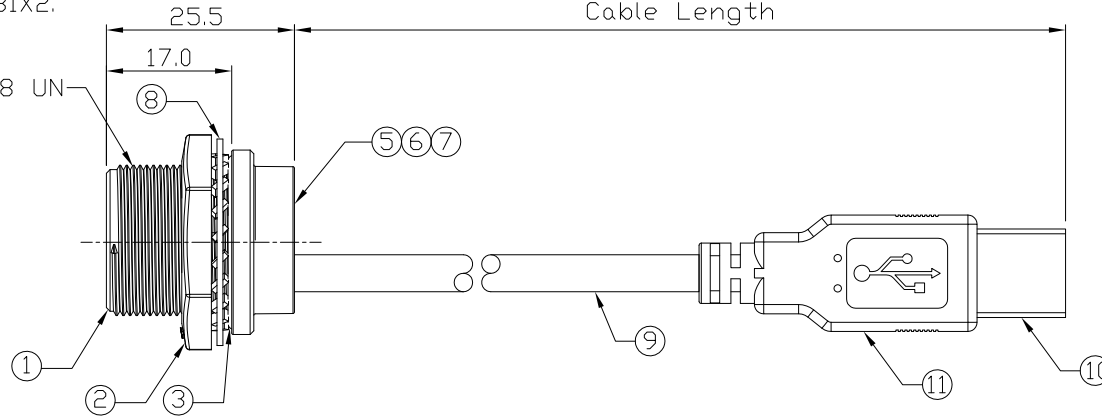
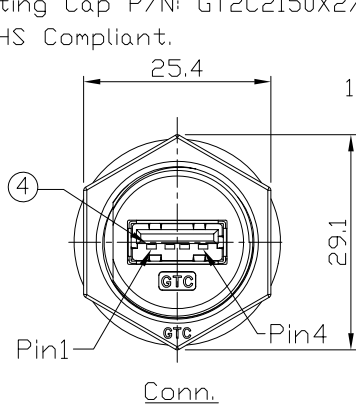
3

4

Notes: (Unless Otherwise Specified)

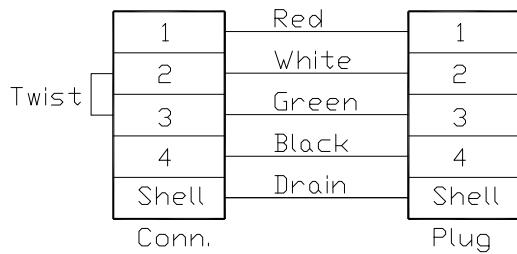
- 1. Waterproof Rate: IP68.
- 2. Recommend Panel Thickness: 0.8 to 6.0 mm.
- 3. Recommend Torque: 19~20 Kgf-cm.
- 4. Mating Cap P/N: GT2C2150X2/GT1C5331X2.
- 5. RoHS Compliant.

REV	ECN#	DESCRIPTION OF REVISION	DRAW BY DATE	CHECK BY DATE	APPROVE BY DATE
A1	ECN-230204	Change The Same Cable Length Tol. As IPC620.	Aileen 02/07/23	Lucas 02/07/23	Ray 02/07/23

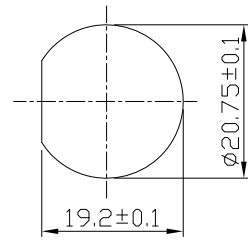


Item	Part Name	Material / Finish	Qty
11	Over Mold	PVC Color: Black	1
10	USB-A Plug	Housing: Thermoplastic, Color: Black Contacts: Copper Alloy, Finish: Au Plated Shell: Cold Roll Steel, Finish: Ni Plated	1
9	Cable	UL2725 1P*28AWG+2C*24AWG+Al/My+D+B OD=5.0mm, Color: Black	1
8	Metal Washer	SUS Finish: -	1
7	EMI Shielded Plate	Copper Finish: Ni Plated	1
6	Glue	Epoxy Color: Black	
5	PCB	FR-4 Color: Green	1
4	USB-A Receptacle	Housing: Thermoplastic, Color: Black Contacts: Copper Alloy, Finish: Au Plated Shell: Copper Alloy, Finish: Ni Plated	1
3	O-Ring	Silicone Color: Red	1
2	Hex Nut	Zn Alloy Finish: Ni Plated	1
1	Housing	Zn Alloy Finish: Ni Plated	1

GT216300-05-10	10000 mm	+500
GT216300-05-09	9000 mm	+450
GT216300-05-08	8000 mm	+400
GT216300-05-07	7000 mm	+150
GT216300-05-06	6000 mm	+150
GT216300-05-05	5000 mm	+150
GT216300-05-04	4000 mm	+150
GT216300-05-03	3000 mm	+100
GT216300-05-02	2000 mm	+100
GT216300-05-01	1000 mm	+50
GT216300-05-Z9	900 mm	+50
GT216300-05-Z8	800 mm	+50
GT216300-05-Z7	700 mm	+50
GT216300-05-Z6	600 mm	+50
GT216300-05-Z5	500 mm	+50
GT216300-05-Z4	400 mm	+50
GT216300-05-Z3	300 mm	+25
GT216300-05-Z2	200 mm	+25
GT216300-05-Z1	100 mm	+25
Part No.	Cable Length	Tol. △



Wiring Diagram



Recommend Panel Cut-Out

TITLE						DRAWING NUMBER			REV.	
USB-A Metal C3 Panel Jack Screw + USB-A Plug With Cable						GT216300-05-XX			A1	
THIRD ANGLE PROJECTION	SIZE	SCALE	DRAW / DATE	CHECK / DATE	APPROVE / DATE	TOLERANCES	UNIT	SHEET		
	B	1:1	Joyce 07/10/14	Lucas 07/10/14	Ray 07/10/14	X.X ± 0.5 X.XX ± 0.2	mm	1/1		
						X.XXX ± 0.05 ANGLES ± 1°				

GT Contact CO.,LTD

NOTICE OF PROPRIETARY PROPERTY:

THE INFORMATION CONTAINED HEREIN IS THE PROPRIETARY PROPERTY OF GT Contact CO.,LTD THE POSSESSOR AGREES TO THE FOLLOWING:

- (A) TO MAINTAIN THIS DOCUMENT IN CONFIDENCE
- (B) NOT TO REPRODUCE OR COPY IT
- (C) NOT TO REVEAL OR PUBLISH IT IN WHOLE OR PART
- (D) ALL RIGHTS RESERVED

1

2

3

4