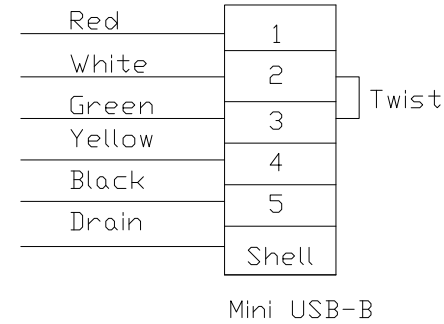
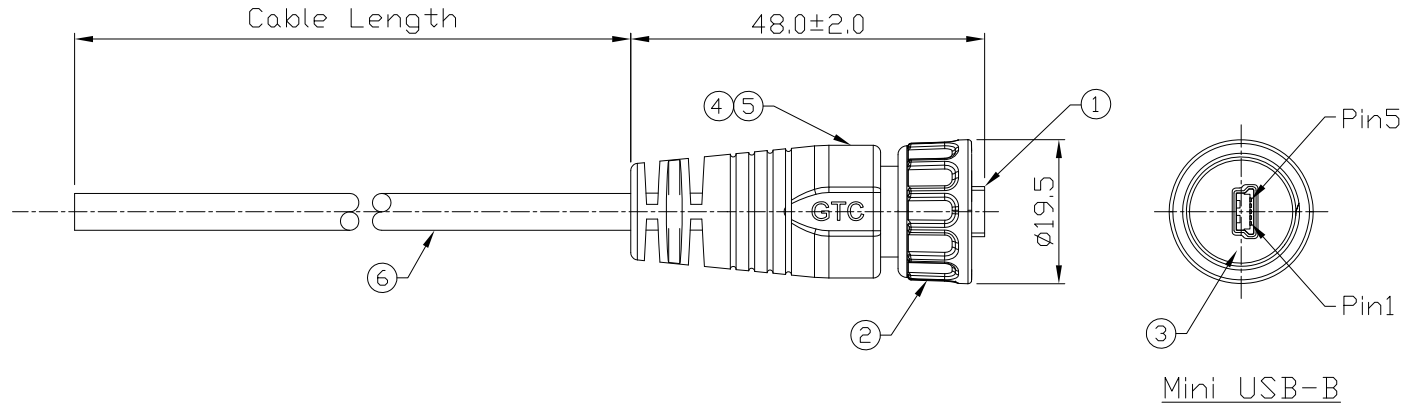


Notes: (Unless Otherwise Specified)

1. Waterproof Rate : IP68.
2. RoHS Compliant.

REV	ECN#	DESCRIPTION OF REVISION	DRAW BY DATE	CHECK BY DATE	APPROVE BY DATE
A1	ECN-141115	Change Cable Type Modify Wiring Diagram	Lucas 12/08/14	Ray 12/08/14	Ray 12/08/14



Wiring Diagram

Part No.	Cable Length	Tol.
GT214320-01-10	10000 mm	±500
GT214320-01-09	9000 mm	±450
GT214320-01-08	8000 mm	±400
GT214320-01-07	7000 mm	±150
GT214320-01-06	6000 mm	±150
GT214320-01-05	5000 mm	±150
GT214320-01-04	4000 mm	±150
GT214320-01-03	3000 mm	±150
GT214320-01-02	2000 mm	±100
GT214320-01-01	1000 mm	±50
GT214320-01-Z9	900 mm	±40
GT214320-01-Z6	600 mm	±40
GT214320-01-Z5	500 mm	±40

Item	Part Name	Material / Finish	Q'ty
6	Cable	UL2725 1P*28AWG+3C*24AWG+Al/My+D+B ØD=5.0mm, Color: Black	1
5	Over Mold	PVC Color: Black	1
4	Inner Mold	Thermoplastic Color: Black	1
3	Rubber Pad	Silicone Color: Black	1
2	Screw Nut	Zn Alloy Finish: Ni Plated	1
1	Mini USB-B Plug	Housing:Thermoplastic,Color:Black Contacts:Copper Alloy,Finish:Au Plated Shell:Cold Roll Steel,Finish:Ni Plated	1

TITLE						DRAWING NUMBER			REV.
Mini USB-B Metal C2 Cable End Plug Screw						GT214320-01-XX			A1
THIRD ANGLE PROJECTION	SIZE	SCALE	DRAW / DATE	CHECK / DATE	APPROVE / DATE	TOLERANCES	UNIT	SHEET	
	B	1:1	David 05/17/10	Ray 05/17/10	Ray 05/17/10	X.X ± 0.5 X.XX ± 0.2	mm	1/1	
						X.XXX ± 0.05 ANGLES ± 1°			

GT Contact CO.,LTD

NOTICE OF PROPRIETARY PROPERTY:  
THE INFORMATION CONTAINED HEREIN IS THE PROPRIETARY PROPERTY OF GT CONTACT CO.,LTD THE POSSESSOR AGREES TO THE FOLLOWING:  
(a) TO MAINTAIN THIS DOCUMENT IN CONFIDENCE  
(b) NOT TO REPRODUCE OR COPY IT  
(c) NOT TO REVEAL OR PUBLISH IT IN WHOLE OR PART  
(d) ALL RIGHTS RESERVED