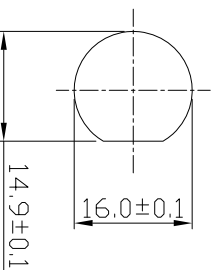
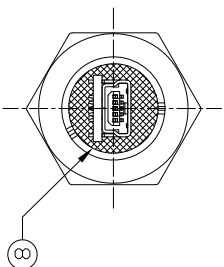
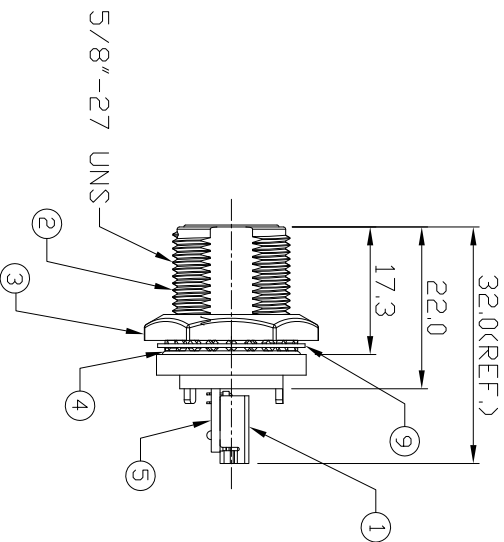
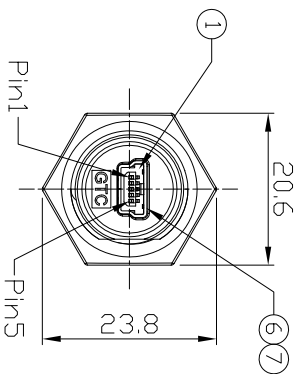


- Notes: (Unless Otherwise Specified)
1. Waterproof Rate: IP68.
 2. Recommend Panel Thickness: 0.8 to 8.0 mm.
 3. Recommend Torque: 19~20 Kgf-cm.
 4. Mating Cap P/N: GT105231X2/GT2C123012.
 5. RoHS Compliant.

REV	ECN#	DESCRIPTION OF REVISION	DRAW BY DATE	CHECK BY DATE	APPROVE BY DATE
A2	ECN-120313	Add Metal Washer , Marked $\triangle A$	Joyce 04/09/12	Lucas 04/09/12	Roy 04/09/12
A3	ECN-130208	Modify Panel Cut Out Direction $\triangle A$	Joyce 02/20/13	Lucas 02/20/13	Roy 02/20/13



$\triangle A$ Front View
Recommend
Panel Cut-Out

9	Metal Washer	Stainless Finish: —	1	$\triangle A$
8	Glue	Epoxy Color: Black	1	
7	Holder	Thermoplastic Color: Black	1	
6	EMI Shielded Plate	Copper Alloy Finish: Ni Plated	1	
5	PCB	FR-4 Color: —	1	
4	O-Ring	Silicone Color: Red	1	
3	Hex Nut	Zn Alloy Finish: Ni Plated	1	
2	Housing	Zn Alloy Finish: Ni Plated	1	
1	Mini USB-B Receptacle	Housing: Thermoplastic, Color: Black Contacts: Copper Alloy, Finish: Au Plated Shell: Copper Alloy, Finish: Ni Plated	2	
Item	Part Name	Material / Finish	Qty	

GTC
DOC.CENTER.ISSUE
FEB.22.2013
ONLY FOR
RELEASE

TITLE Mini USB-B Metal C2 Panel Jack With Coupler Screw

DRAWING NUMBER GT214300-50

REV. A3

THIRD ANGLE PROJECTION	SIZE	SCALE	DRAW / DATE	CHECK / DATE	APPROVE / DATE	TOLERANCES	UNIT	SHEET
	B	1:1	Edwin 12/25/09	Roy 12/25/09	Roy 12/25/09	XX ± 0.5 XXX ± 0.2	mm	1/1

GT Contact CD, LTD

NOTICE OF PROPRIETARY PROPERTY

THE INFORMATION CONTAINED HEREIN IS THE PROPRIETARY PROPERTY OF GT Contact CD, LTD. THE POSSESSOR AGREES TO MAINTAIN THIS DOCUMENT IN CONFIDENCE AND NOT TO REPRODUCE OR DISSEMINATE IT IN WHOLE OR PART (S) ALL RIGHTS RESERVED