

1

2

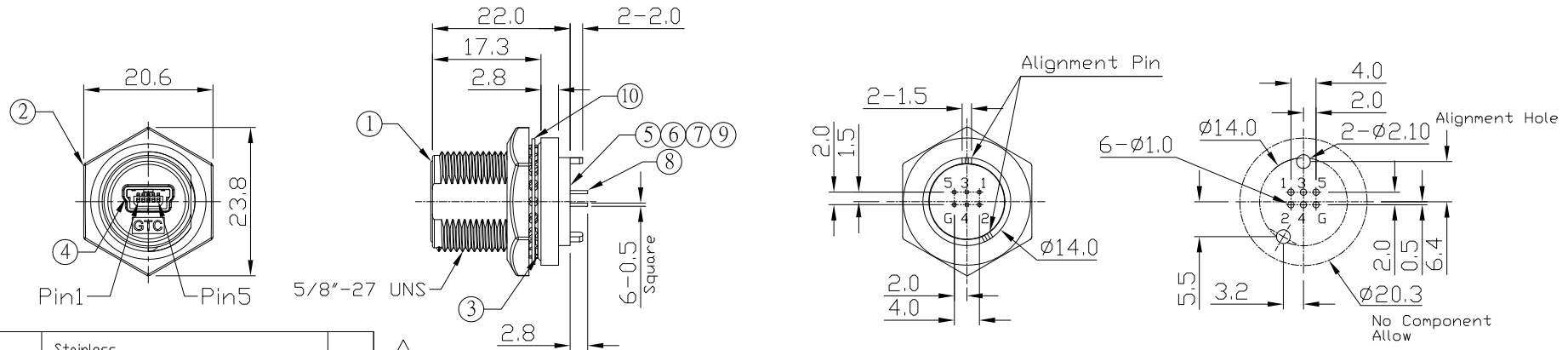
3

4

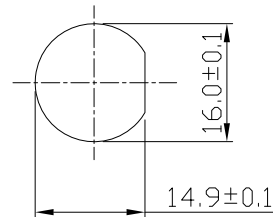
Notes: (Unless Otherwise Specified)

1. Waterproof Rate: IP68.
2. Recommend Panel Thickness: 0.8 to 8.0 mm.
3. Recommend Torque: 19~20 kgf-cm.
4. Mating Cap P/N: GT1C5231X2/GT2C123012.
5. RoHS Compliant.

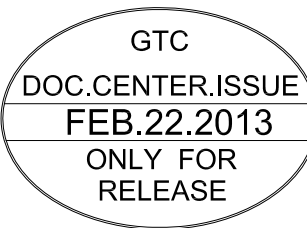
REV	ECN#	DESCRIPTION OF REVISION	DRAW BY DATE	CHECK BY DATE	APPROVE BY DATE
A6	ECN-120313	Add Metal Washer , Marked $\triangle AB$	Joyce 04/09/12	Lucas 04/09/12	Ray 04/09/12
A7	ECN-130208	Marked $\triangle A7$	Joyce 02/19/13	Lucas 02/19/13	Ray 02/19/13



10	Metal Washer	Stainless Finish: —	1	$\triangle AB$
9	Glue	Epoxy Color: Black		
8	Pin Header	Housing: Thermoplastic, Color: Black Contacts: Copper Alloy, Finish: Au Plated	1	
7	EMI Shielded Plate	Copper Alloy Finish: Ni Plated	1	
6	Holder	Thermoplastic Color: Black	1	
5	PCB	FR-4 Color: Green	1	
4	USB-A Receptacle	Housing: Thermoplastic, Color: Black Contacts: Copper Alloy, Finish: Au Plated Shell: Copper Alloy, Finish: Ni Plated	1	
3	O-Ring	Silicone Color: Red	1	
2	Hex Nut	Zn Alloy Finish: Ni Plated	1	
1	Housing	Zn Alloy Finish: Ni Plated	1	
Item	Part Name	Material / Finish	Q'ty	



$\triangle A7$ Front View
Recommend
Panel Cut-Out



Recommend PCB Layout
Top View

TITLE						DRAWING NUMBER			REV.
Mini USB-B Metal C2 Panel Jack Screw Dip						GT214300-10			A7
	B	1:1	Edwin 09/23/08	Ray 09/23/08	Ray 09/23/08	X.X ± 0.5 X.XX ± 0.2	X.XXX ± 0.05 ANGLES ± 1°	mm	1/1
THIRD ANGLE PROJECTION	SIZE	SCALE	DRAW / DATE	CHECK / DATE	APPROVE / DATE	TOLERANCES		UNIT	SHEET

GT Contact CO.,LTD

NOTICE OF PROPRIETARY PROPERTY:

THE INFORMATION CONTAINED HEREIN IS THE PROPRIETARY PROPERTY OF GT CONTACT CO.,LTD THE POSSESSOR AGREES TO THE FOLLOWING:
 (A) TO MAINTAIN THIS DOCUMENT IN CONFIDENCE
 (B) NOT TO REPRODUCE OR COPY IT
 (C) NOT TO REVEAL OR PUBLISH IT IN WHOLE OR PART
 (D) ALL RIGHTS RESERVED

1

2

3

4