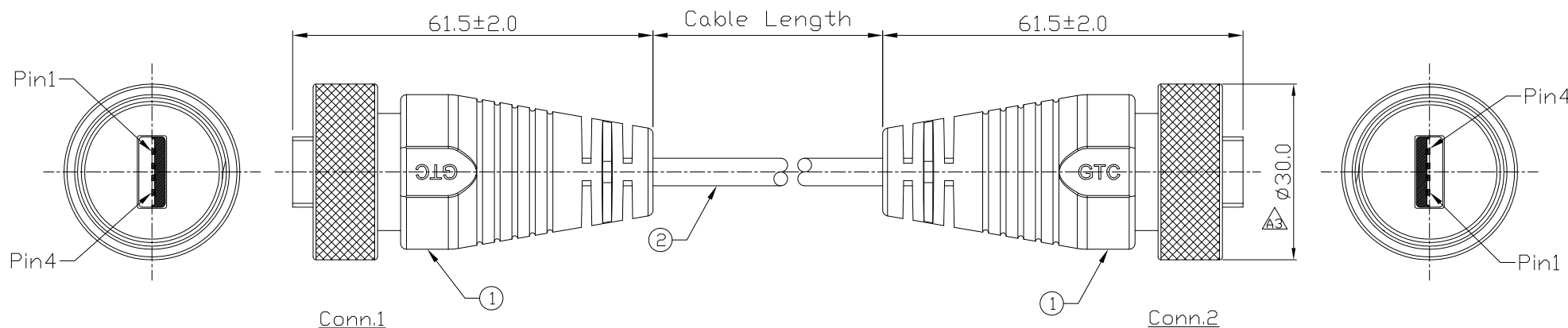


Notes: (Unless Otherwise Specified)
 1. Waterproof Rate: IP68.
 2. RoHS Compliant.

REV	ECN#	DESCRIPTION OF REVISION	DRAW BY DATE	CHECK BY DATE	APPROVE BY DATE
A3	ECN-190119	Screw Nut Material Change To Copper Alloy Plated Ni	Lucas 01/21/19	Lucas 01/21/19	Ray 01/21/19



GTC
 DOC.CENTER.ISSUE
 JAN.22.2019
 ONLY FOR
 RELEASE



GT211320-0M-15	15000 mm	±750
GT211320-0M-10	10000 mm	±500
GT211320-0M-09	9000 mm	±450
GT211320-0M-08	8000 mm	±400
GT211320-0M-07	7000 mm	±150
GT211320-0M-06	6000 mm	±150
GT211320-0M-05	5000 mm	±150
GT211320-0M-04	4000 mm	±150
GT211320-0M-03	3000 mm	±150
GT211320-0M-02	2000 mm	±100
GT211320-0M-01	1000 mm	±50
GT211320-0M-Z9	900 mm	±40
GT211320-0M-Z8	800 mm	±40
GT211320-0M-Z7	700 mm	±40
GT211320-0M-Z6	600 mm	±40
GT211320-0M-Z5	500 mm	±40
GT211320-0M-Z4	400 mm	±20
GT211320-0M-Z3	300 mm	±20
GT211320-0M-Z2	200 mm	±20
Part No.	Cable Length	Tol.

Item	Part Name	Material / Finish	Q'ty
2	Cable	UL2725 1P*28AWG+2C*24AWG+Al/My+D+B Color: Black, OD=5.0mm	1
1	USB-A Metal C4 Cable End Plug Screw	GT Contact P/N: GT211320-01-XX	2

TITLE						DRAWING NUMBER			REV.
USB-A Metal C4 Cable End Twin-head Plug Screw						GT211320-0M-XX			A3
THIRD ANGLE PROJECTION	SIZE	SCALE	DRAW / DATE	CHECK / DATE	APPROVE / DATE	TOLERANCES	UNIT	SHEET	
	B	1:1	Joyce 09/18/13	Lucas 09/18/13	Ray 09/18/13	X.X ± 0.5 X.XX ± 0.2	mm	1/1	
						X.XXX ± 0.05 ANGLES ± 1°			

GT Contact CO.,LTD

NOTICE OF PROPRIETARY PROPERTY:

THE INFORMATION CONTAINED HEREIN IS THE PROPRIETARY PROPERTY OF GT CONTACT CO.,LTD THE POSSESSOR AGREES TO THE FOLLOWING:

(a) TO MAINTAIN THIS DOCUMENT IN CONFIDENCE
 (b) NOT TO REPRODUCE OR COPY IT
 (c) NOT TO REVEAL OR PUBLISH IT IN WHOLE OR PART
 (d) ALL RIGHTS RESERVED