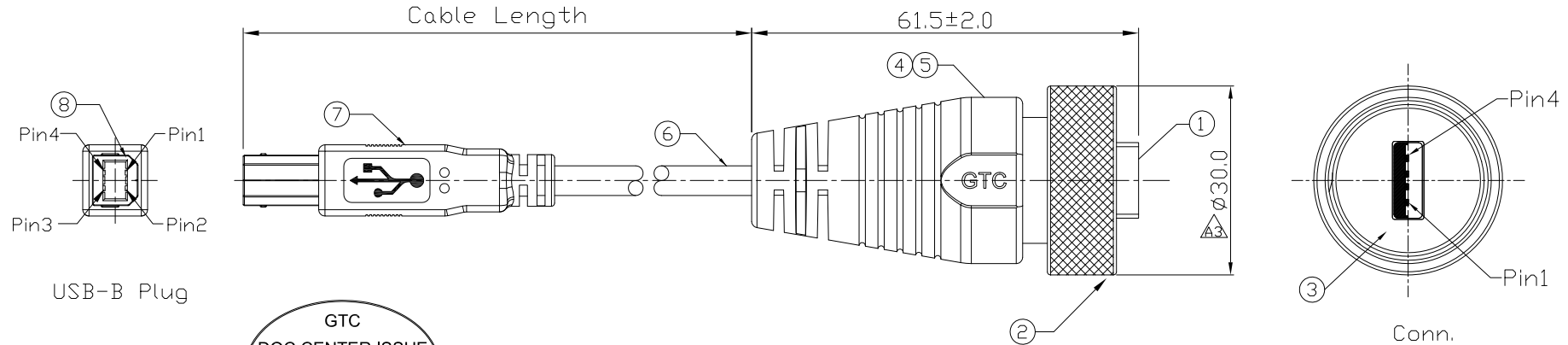


Notes: (Unless Otherwise Specified)

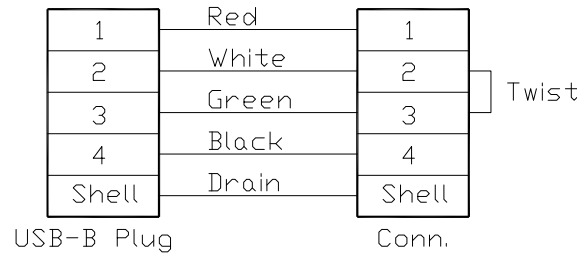
1. Waterproof Rate : IP68.
2. RoHS Compliant.

REV	ECN#	DESCRIPTION OF REVISION	DRAW BY DATE	CHECK BY DATE	APPROVE BY DATE
A3	ECN-190119	Screw Nut Material Change To Copper Alloy Plated Ni	Lucas 01/21/19	Lucas 01/21/19	Ray 01/21/19



GTC
DOC.CENTER.ISSUE
JAN.22.2019
ONLY FOR
RELEASE

8	USB-B Plug	Housing:Thermoplastic,Color:Black Contacts:Copper Alloy,Finish:Au Plated Shell:Copper Alloy,Finish:Ni Plated	1
7	Over Mold	PVC Color: Black	1
6	Cable	UL2725 1P*28AWG+2C*24AWG+Al/My+D+B ØD=5.0mm, Color: Black	1
5	Over Mold	PVC Color: Black	2
4	Inner Mold	Thermoplastic Color: Black Or White	1
3	Gasket	Silicone Color: Black	1
2	Screw Nut	Copper Alloy Finish: Ni Plated	1
1	USB-A Plug	Housing:Thermoplastic,Color:Black Contacts:Copper Alloy,Finish:Au Plated Shell:Cold Roll Steel,Finish:Ni Plated	1
Item	Part Name	Material / Finish	Q'ty



Wiring Diagram

GT211320-09-10	10000 mm	±500
GT211320-09-09	9000 mm	±450
GT211320-09-08	8000 mm	±400
GT211320-09-07	7000 mm	±350
GT211320-09-06	6000 mm	±300
GT211320-09-05	5000 mm	±250
GT211320-09-04	4000 mm	±200
GT211320-09-03	3000 mm	±150
GT211320-09-02	2000 mm	±100
GT211320-09-01	1000 mm	±50
GT211320-09-Z9	900 mm	±40
GT211320-09-Z6	600 mm	±40
GT211320-09-Z5	500 mm	±40
Part No.	Cable Length	Tol.

GT Contact CO.,LTD

NOTICE OF PROPRIETARY PROPERTY:

THE INFORMATION CONTAINED HEREIN IS THE PROPRIETARY PROPERTY OF GT Contact CO.,LTD THE POSSESSOR AGREES TO THE FOLLOWING:
 (1) TO MAINTAIN THIS DOCUMENT IN CONFIDENCE
 (2) NOT TO REPRODUCE OR COPY IT
 (3) NOT TO REVEAL OR PUBLISH IT IN WHOLE OR PART
 (4) ALL RIGHTS RESERVED

TITLE						DRAWING NUMBER			REV.	
USB-A Metal C4 Cable End Plug Screw With USB-B Plug						GT211320-09-XX			A3	
THIRD ANGLE PROJECTION	SIZE	SCALE	DRAW / DATE	CHECK / DATE	APPROVE / DATE	X.X ± 0.5 X.XX ± 0.2	X.XXX ± 0.05 ANGLES ± 1°	mm	1/1	SHEET