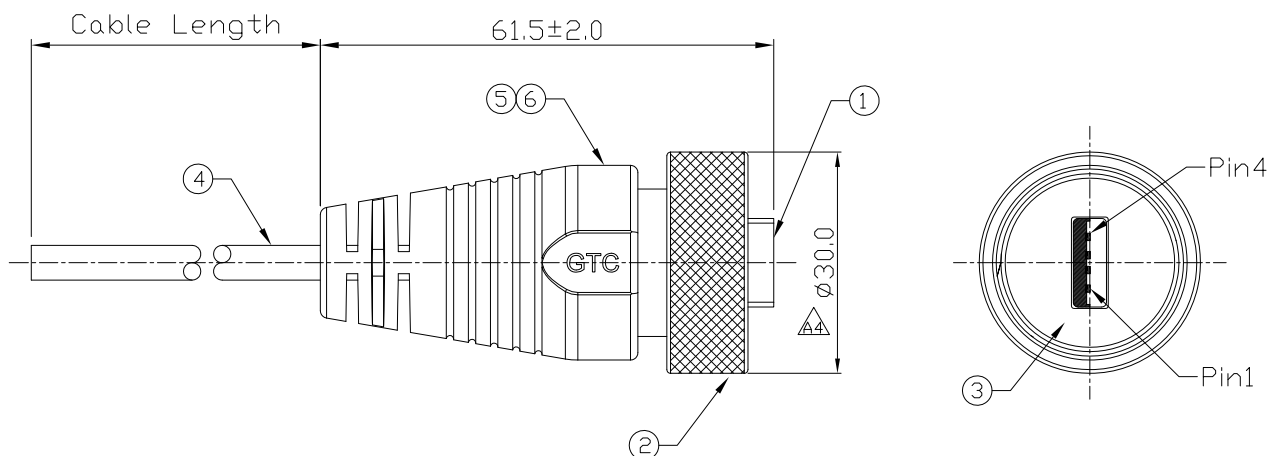


Notes: (Unless Otherwise Specified)
 1. Waterproof Rate: IP68.
 2. RoHS Compliant.

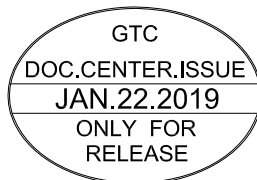
REV	ECN#	DESCRIPTION OF REVISION	DRAW BY DATE	CHECK BY DATE	APPROVE BY DATE
A4	ECN-190119	Screw Nut Material Change To Copper Alloy Plated Ni	Lucas 01/21/19	Lucas 01/21/19	Ray 01/21/19



GT211320-01-10	10000 mm	±500
GT211320-01-09	9000 mm	±450
GT211320-01-08	8000 mm	±400
GT211320-01-07	7000 mm	±350
GT211320-01-06	6000 mm	±300
GT211320-01-05	5000 mm	±250
GT211320-01-04	4000 mm	±200
GT211320-01-03	3000 mm	±150
GT211320-01-02	2000 mm	±100
GT211320-01-01	1000 mm	±50
GT211320-01-Z9	900 mm	±40
GT211320-01-Z5	500 mm	±40
Part No.	Cable Length	Tol.

1	Red
2	White
3	Green
4	Black
Shell	Drain

Wiring Diagram



6	Over Mold	PVC Color: Black	2
5	Inner Mold	Thermoplastic Color: Black Or White	1
4	Cable	UL2725 1P*28AWG+2C*24AWG+Al/My+D+B Color: Black, OD=5.0mm	1
3	Rubber Pad	Silicone Color: Black	1
2	Screw Nut	Copper Alloy Finish: Ni Plated	1
1	USB-A Plug	Housing: Thermal Plastic, Color: Black Contacts: Copper Alloy, Finish: Au Plated Shell: Cold Roll Steel, Finish: Ni Plated	1
Item	Part Name	Material / Finish	Q'ty



TITLE						DRAWING NUMBER			REV.	
USB-A Metal C4 Cable End Plug Screw						GT211320-01-XX			A4	
THIRD ANGLE PROJECTION	SIZE	SCALE	DRAW / DATE	CHECK / DATE	APPROVE / DATE	X.X ± 0.5 X.XX ± 0.2	X.XXX ± 0.05 ANGLES ± 1°	mm	1/1	
						TOLERANCES			UNIT SHEET	

GT Contact CO.,LTD		
NOTICE OF PROPRIETARY PROPERTY:		
THE INFORMATION CONTAINED HEREIN IS THE PROPRIETARY PROPERTY OF GT CONTACT CO.,LTD THE POSSESSOR AGREES TO THE FOLLOWING:		
(a) TO MAINTAIN THIS DOCUMENT IN CONFIDENCE		
(b) NOT TO REPRODUCE OR COPY IT		
(c) NOT TO REVEAL OR PUBLISH IT IN WHOLE OR PART		
(d) ALL RIGHTS RESERVED		