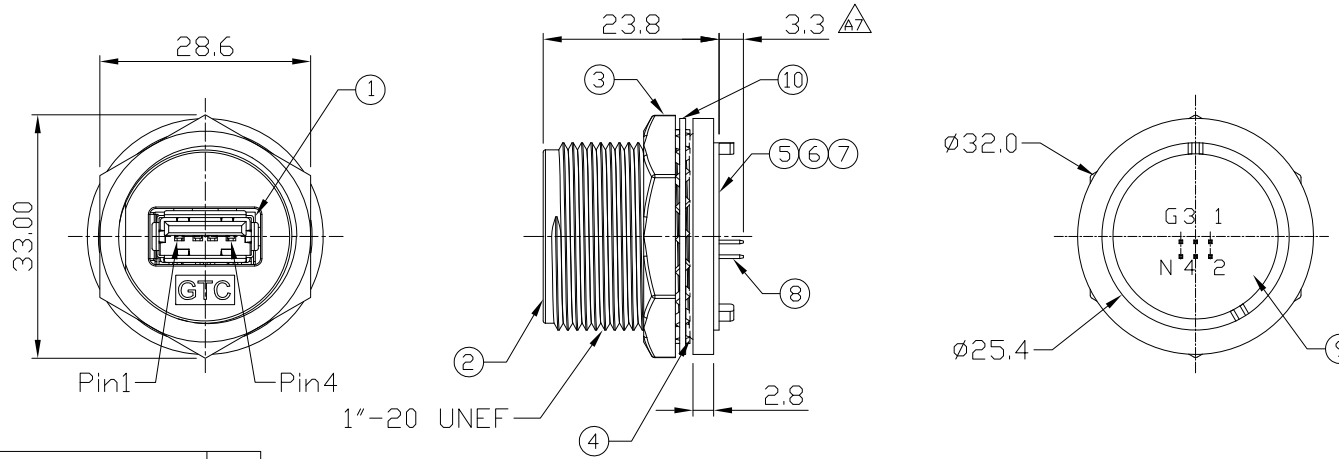


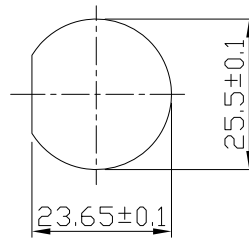
Notes: (Unless Otherwise Specified)

1. Waterproof Rate: IP68.
2. Recommend Panel Thickness: 0.8 to 8.0 mm.
3. Recommend Torque: 19~20 Kgf-cm.
4. Mating Cap P/N: GT1C543122.
5. RoHS Compliant.

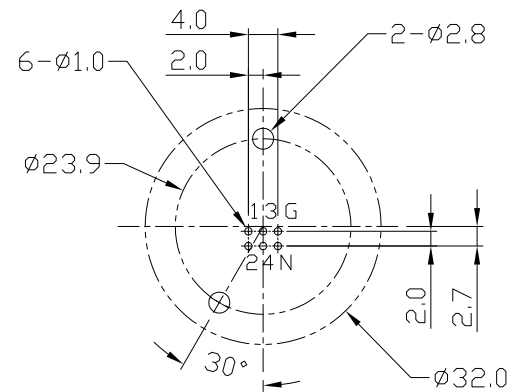
REV	ECN#	DESCRIPTION OF REVISION	DRAW BY DATE	CHECK BY DATE	APPROVE BY DATE
A7	ECN-210522	Modify Dimension 3.7 to 3.3 $\Delta 7$	Joyce 06/03/21	Lucas 06/03/21	Ray 06/03/21



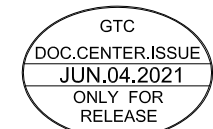
10	Metal Washer	Stainless Finish: —	1
9	Glue	Epoxy Color: Black	
8	Pin Header	Housing: Thermoplastic, Color: Black Contacts: Copper Alloy, Finish: Au Plated	1
7	PCB	FR-4 Color: —	1
6	EMI Shielded Plated	Zn Alloy Finish: Ni Plated	1
5	Holder	Thermoplastic Color: Black	1
4	O-Ring	Silicone Color: Red	1
3	Hex Nut	Zn Alloy Finish: Ni Plated	1
2	Housing	Zn Alloy Finish: Ni Plated	1
1	USB-A Receptacle	Housing: Thermoplastic, Color: Black Contacts: Copper Alloy, Finish: Au Plated Shell: Copper Alloy, Finish: Ni Plated	1
Item	Part Name	Material / Finish	Q'TY



Recommend
Panel Cut-Out



Recommend PCB Layout



GT Contact CO.,LTD

NOTICE OF PROPRIETARY PROPERTY:

THE INFORMATION CONTAINED HEREIN IS THE PROPRIETARY PROPERTY OF GT CONTACT CO.,LTD THE POSSESSOR AGREES TO THE FOLLOWING:
 (A) TO MAINTAIN THIS DOCUMENT IN CONFIDENCE
 (B) NOT TO REPRODUCE OR COPY IT
 (C) NOT TO REVEAL OR PUBLISH IT IN WHOLE OR PART
 (D) ALL RIGHTS RESERVED

TITLE						DRAWING NUMBER			REV.
USB-A Metal C4 Panel Jack Dip Screw						GT211300-10			A7
	B	1:1	Karen 04/28/09	Ray 04/28/09	Ray 04/28/09	X.X ± 0.5 X.XX ± 0.2	X.XXX ± 0.05 ANGLES ± 1°	mm	1/1
THIRD ANGLE PROJECTION	SIZE	SCALE	DRAW / DATE	CHECK / DATE	APPROVE / DATE	TOLERANCES		UNIT	SHEET