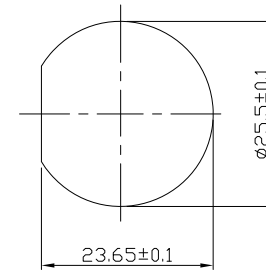
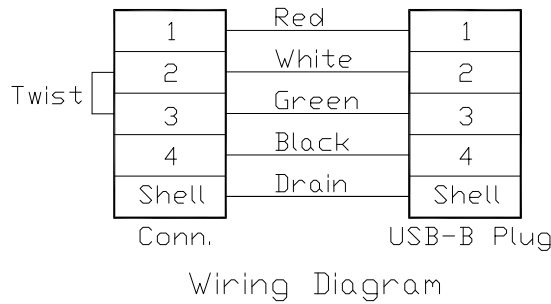
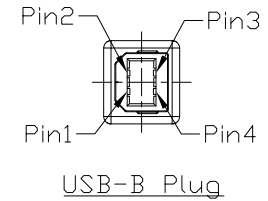
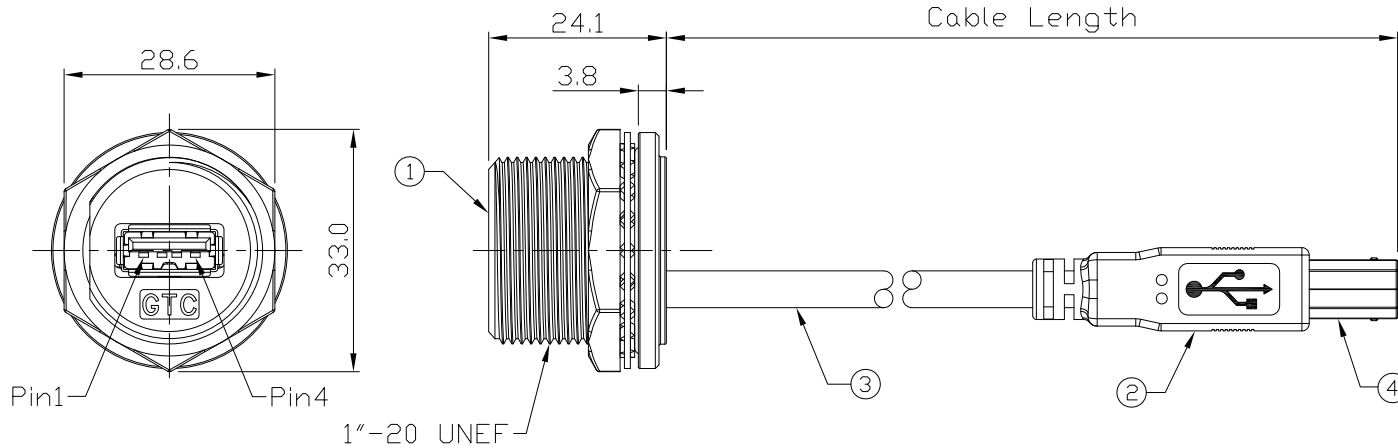


Notes: (Unless Otherwise Specified)

1. Waterproof Rate: IP68.
2. Recommend Panel Thickness: 0.8 to 8.0 mm.
3. Recommend Torque: 19~20 Kgf-cm.
4. Mating Cap: GT1C5431X2
5. RoHS Compliant.

REV	ECN#	DESCRIPTION OF REVISION	DRAW BY DATE	CHECK BY DATE	APPROVE BY DATE
A0			Hank 11/25/22	Lucas 11/25/22	Ray 11/25/22



Item	Part Name	Material / Finish	Q'ty
4	USB-B Plug	Housing: Thermoplastic, Color: Black Contacts: Copper Alloy, Finish: Au Plated Shell: Cold Roll Steel, Finish: Ni Plated	1
3	USB Cable	UL2725 1P*28AWG+2C*24AWG+Al/My+D+B OD=5.0±0.2, Color: Black	1
2	Over Mold	PVC Color: Black	1
1	USB-A Metal C4 Panel Jack Screw With Cable	GTC Connector P/N: GT211300-03-XX	1

Part No.	Cable Length	Tol.
GT211300-09-02	2000 mm	+100
GT211300-09-01	1000 mm	+50
GT211300-09-Z9	900 mm	+50
GT211300-09-Z8	800 mm	+50
GT211300-09-Z7	700 mm	+50
GT211300-09-Z6	600 mm	+50
GT211300-09-Z5	500 mm	+50
GT211300-09-Z4	400 mm	+50
GT211300-09-Z3	300 mm	+25
GT211300-09-Z2	200 mm	+25

TITLE						DRAWING NUMBER			REV.
USB-A Metal C4 Panel Jack Screw With Cable+USB-B Plug						GT211300-09-XX			A0
THIRD ANGLE PROJECTION	SIZE	SCALE	DRAW / DATE	CHECK / DATE	APPROVE / DATE	TOLERANCES	UNIT	SHEET	
	B	1:1	Hank 11/25/22	Lucas 11/25/22	Ray 11/25/22	X.X ± 0.5 X.XX ± 0.2	X.XXX ± 0.05 ANGLES ± 1°	mm 1/1	

GT Contact CO.,LTD

NOTICE OF PROPRIETARY PROPERTY:  
THE INFORMATION CONTAINED HEREIN IS THE PROPRIETARY PROPERTY OF GT CONTACT CO.,LTD THE POSSESSOR AGREES TO THE FOLLOWING:  
(a) TO MAINTAIN THIS DOCUMENT IN CONFIDENCE  
(b) NOT TO REPRODUCE OR COPY IT  
(c) NOT TO REVEAL OR PUBLISH IT IN WHOLE OR PART  
(d) ALL RIGHTS RESERVED