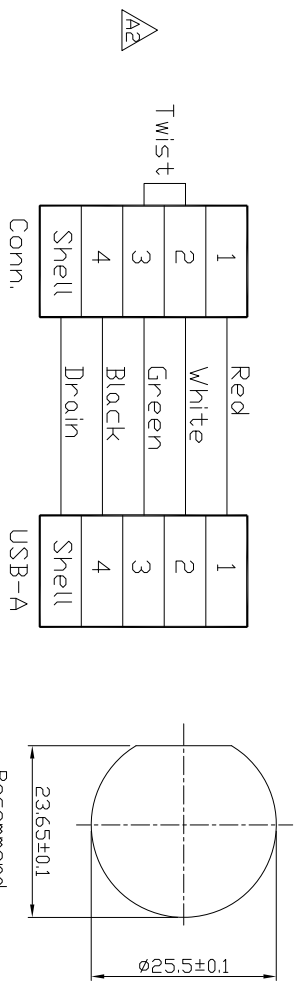
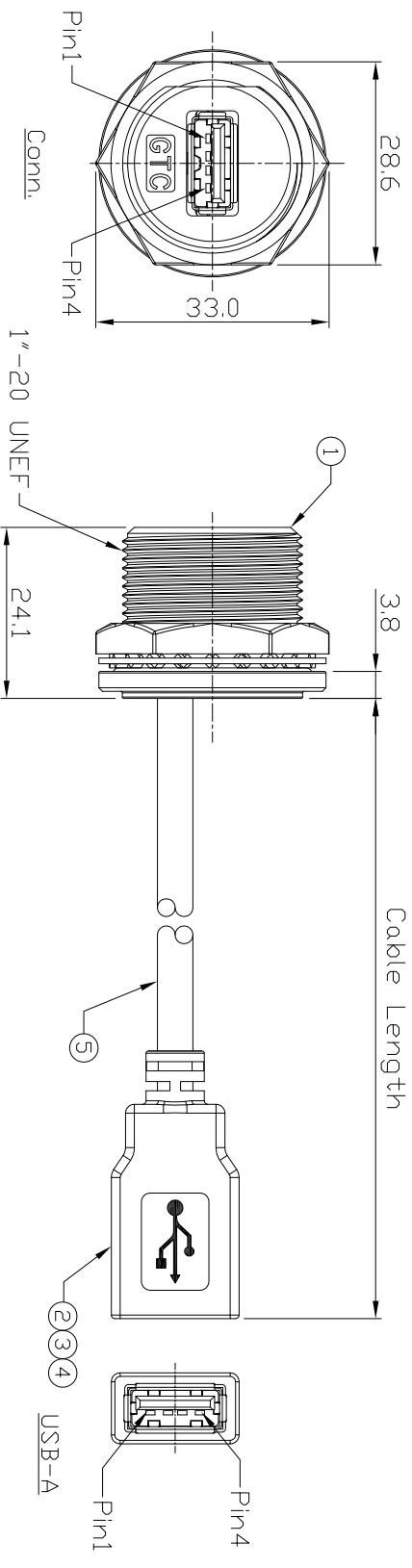


- NOTES: (Unless Otherwise Specified)
1. Waterproof Rate: IP68.
 2. Recommend Panel Thickness: 0.8 to 8.0 mm.
 3. Recommend Torque: 19~20 Kgf-cm.
 4. Mating Cap: GT1C5431X2
 5. RoHS Compliant.

REV	ECN#	DESCRIPTION OF REVISION	DRAW BY DATE	CHECK BY DATE	APPROVE BY DATE
A1	ECN-120313	Add Metal Washer , Marked	Joyce 04/09/12	Lucas 04/09/12	Roy 04/09/12
A2	ECN-121117	Change USB-A Receptacle Color & Supplier	Joyce 12/06/12	Lucas 12/06/12	Roy 12/06/12

GTC
DOC.CENTER/ISSUE
DEC.26.2012
ONLY FOR
RELEASE



GT211300-06-02	2000 mm	±100
GT211300-06-01	1000 mm	±50
GT211300-06-29	900 mm	±20
GT211300-06-28	800 mm	±20
GT211300-06-27	700 mm	±20
GT211300-06-26	600 mm	±20
GT211300-06-25	500 mm	±20
GT211300-06-24	400 mm	±10
GT211300-06-23	300 mm	±10
GT211300-06-22	200 mm	±10
GT211300-06-21	100 mm	±10

Item	Part Name	Material / Finish	Qty
5	USB Cable	UL2725 1P*28AWG+20K*24AWG+ALUMY+D+B DD=5.0±0.2, Color: Black	1
4	USB-A Receptacle	Housing: Thermoplastic, Color: White	1
		Contacts: Copper Alloy, Finish: Gold Flash Shell: SPC, Finish: Ni Plated	
3	Over Mold	PVC Color: Black	1
2	Inner Mold	Thermoplastic Color: White or Black	1
1	USB-A Metal C4 Panel Jack Screw With Cable	GTC Connector P/N: GT211300-03-XX	1

TITLE	DRAWING NUMBER	REV.
USB-A Metal C4 Panel Jack Screw With Cable+USB-A Receptacle	GT211300-06-XX	A2

THIRD ANGLE PROJECTION	SIZE	SCALE	DRAW / DATE	CHECK / DATE	APPROVE / DATE	TOLERANCES	UNIT	SHEET
	B	1:1	Joyce 09/21/11	Lucas 09/21/11	Roy 09/21/11	± 0.5 ANGLES ± 1°	mm	1/1

GT Contact CD,LTID

NOTICE OF PROPRIETARY PROPERTY:
THE INFORMATION CONTAINED HEREIN IS THE PROPRIETARY PROPERTY OF GT Contact CO.,LTD THE POSSESSOR AGREES TO MAINTAIN THIS DOCUMENT IN CONFIDENCE AND NOT TO REPRODUCE, PUBLISH IT IN WHOLE OR PART (NO) ALL RIGHTS RESERVED