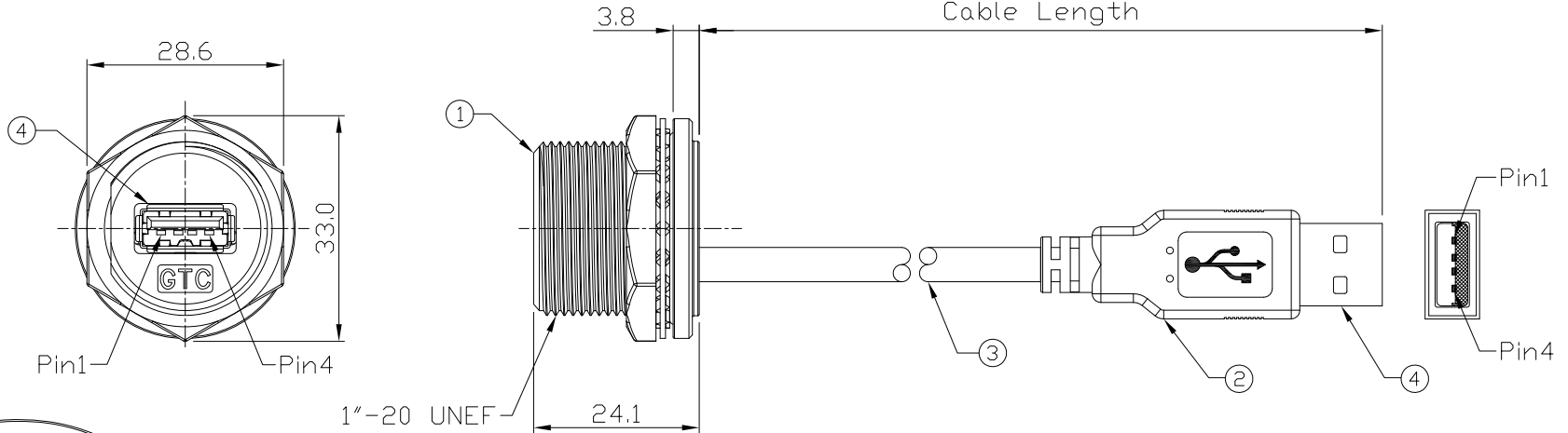


Notes: (Unless Otherwise Specified)

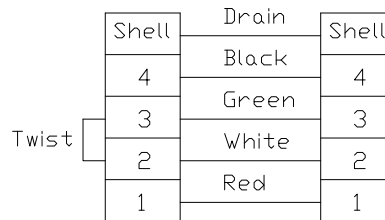
1. Waterproof Rate: IP68.
2. Recommend Panel Thickness: 0.8 to 8.0 mm.
3. Recommend Torque: 19~20 Kgf-cm.
4. Mating Cap: GT1C5431X2
5. RoHS Compliant.

REV	ECN#	DESCRIPTION OF REVISION	DRAW BY DATE	CHECK BY DATE	APPROVE BY DATE
A2	ECN-120313	Add Metal Washer , Marked	Joyce 04/09/12	Lucas 04/09/12	Ray 04/09/12

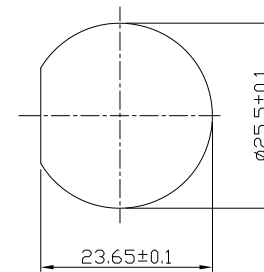


GTC
DOC.CENTER.ISSUE
DEC.09.2019
ONLY FOR
RELEASE

GT211300-05-02	2000 mm	±100
GT211300-05-01	1000 mm	±50
GT211300-05-Z9	900 mm	±20
GT211300-05-Z8	800 mm	±20
GT211300-05-Z7	700 mm	±20
GT211300-05-Z6	600 mm	±20
GT211300-05-Z5	500 mm	±20
GT211300-05-Z4	400 mm	±10
GT211300-05-Z3	300 mm	±10
GT211300-05-Z2	200 mm	±10
GT211300-05-Z1	100 mm	±10
Part No.	Cable Length	Tol.



Wiring Diagram



Recommend Panel Cut-Out

Item	Part Name	Material / Finish	Qty
4	USB-A Plug	Housing: Thermoplastic, Color: Black Contacts: Copper Alloy, Finish: Au Plated Shell: Copper Alloy, Finish: Ni Plated	1
3	USB Cable	UL2725 1P*28AWG+2C*24AWG+Al/My+D+B OD=5.0±0.2, Color: Black	1
2	Over Mold	PVC Color: Black	1
1	USB-A Metal C4 Panel Jack Screw With Cable	GTC Connector P/N: GT211300-03-XX	1

TITLE						DRAWING NUMBER			REV.
USB-A Metal C4 Panel Jack Screw With Cable+USB-A Plug						GT211300-05-XX			A2
	B	1:1	Joyce 05/18/11	Lucas 05/18/11	Ray 05/18/11	X.X ± 0.5 X.XX ± 0.2	X.XXX ± 0.05 ANGLES ± 1°	mm	1/1
THIRD ANGLE PROJECTION	SIZE	SCALE	DRAW / DATE	CHECK / DATE	APPROVE / DATE	TOLERANCES		UNIT	SHEET

GT Contact CO.,LTD

NOTICE OF PROPRIETARY PROPERTY:

THE INFORMATION CONTAINED HEREIN IS THE PROPRIETARY PROPERTY OF GT Contact CO.,LTD THE POSSESSOR AGREES TO THE FOLLOWING:

(A) TO MAINTAIN THIS DOCUMENT IN CONFIDENCE

(B) NOT TO REPRODUCE OR COPY IT

(C) NOT TO REVEAL OR PUBLISH IT IN WHOLE OR PART

(D) ALL RIGHTS RESERVED