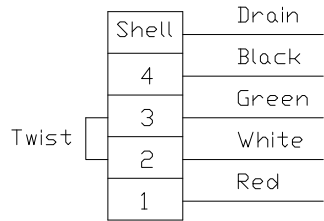
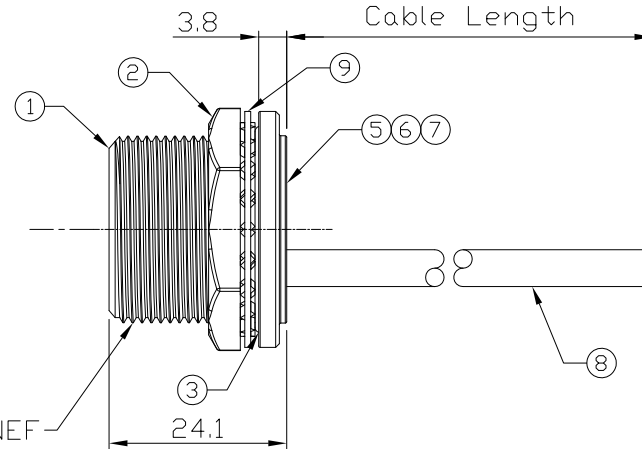
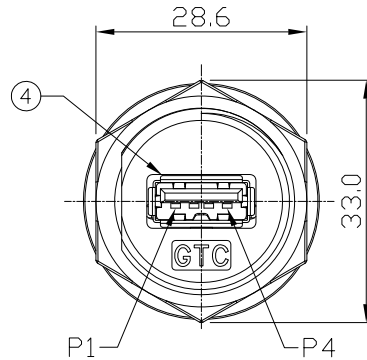


Notes: (Unless Otherwise Specified)

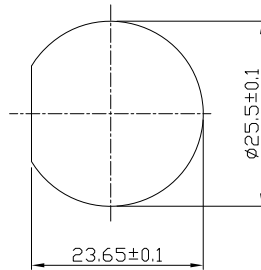
1. Waterproof Rate: IP68.
2. Recommend Panel Thickness: 0.8 to 8.0 mm.
3. Recommend Torque: 19~20 Kgf-cm.
4. Mating Cap: GT1C5431X2
5. RoHS Compliant.



Wiring Diagram



1"-20 UNEF



Recommend  
Panel Cut-Out

GTC  
DOC.CENTER.ISSUE  
APR.17.2012  
ONLY FOR  
RELEASE

9	Metal Washer	Stainless Finish: —	1	△A3
8	USB Cable	UL2725 1P*28AWG+2C*24AWG+Al/My+D+B OD=5.0±0.2, Color: Black	1	
7	Glue	Epoxy Color: Black	1	
6	PCB	FR-4 Color:-	1	
5	EMI Shielded Plate	Copper Alloy Finish: Ni Plated	1	
4	USB-A Receptacle	Housing: Thermoplastic, Color: Black		
		Contacts: Copper Alloy, Finish: Au Plated	1	
		Shell: Copper Alloy, Finish: Ni Plated		
3	O-Ring	Silicone Color: Red	1	
2	Hex Nut	Zn Alloy Finish: Ni Plated	1	
1	Housing	Zn Alloy Finish: Ni Plated	1	
Item	Part Name	Material / Finish	Qty	

GT211300-03-02	2000 mm	±100
GT211300-03-01	1000 mm	±50
GT211300-03-Z9	900 mm	±20
GT211300-03-Z8	800 mm	±20
GT211300-03-Z7	700 mm	±20
GT211300-03-Z6	600 mm	±20
GT211300-03-Z5	500 mm	±20
GT211300-03-Z4	400 mm	±10
GT211300-03-Z3	300 mm	±10
GT211300-03-Z2	200 mm	±10
GT211300-03-Z1	100 mm	±10
Part No.	Cable Length	Tol.

TITLE USB-A Metal C4 Panel Jack Screw With Cable						DRAWING NUMBER GT211300-03-XX			REV. A3	
THIRD ANGLE PROJECTION		SIZE B	SCALE 1:1	DRAW / DATE Joyce 03/10/11	CHECK / DATE Lucas 03/10/11	APPROVE / DATE Ray 03/10/11	TOLERANCES X.X ± 0.5 X.XX ± 0.2	UNIT mm	SHEET 1/1	ANGLES X.XXX ± 0.05 ANGLES ± 1°

GT Contact CO.,LTD

NOTICE OF PROPRIETARY PROPERTY:  
THE INFORMATION CONTAINED HEREIN IS THE PROPRIETARY PROPERTY OF GT Contact CO.,LTD THE POSSESSOR AGREES TO THE FOLLOWING:  
(a) TO MAINTAIN THIS DOCUMENT IN CONFIDENCE  
(b) NOT TO REPRODUCE OR COPY IT  
(c) NOT TO REVEAL OR PUBLISH IT IN WHOLE OR PART  
(d) ALL RIGHTS RESERVED