

1

2

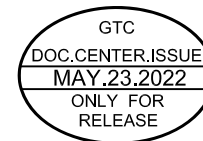
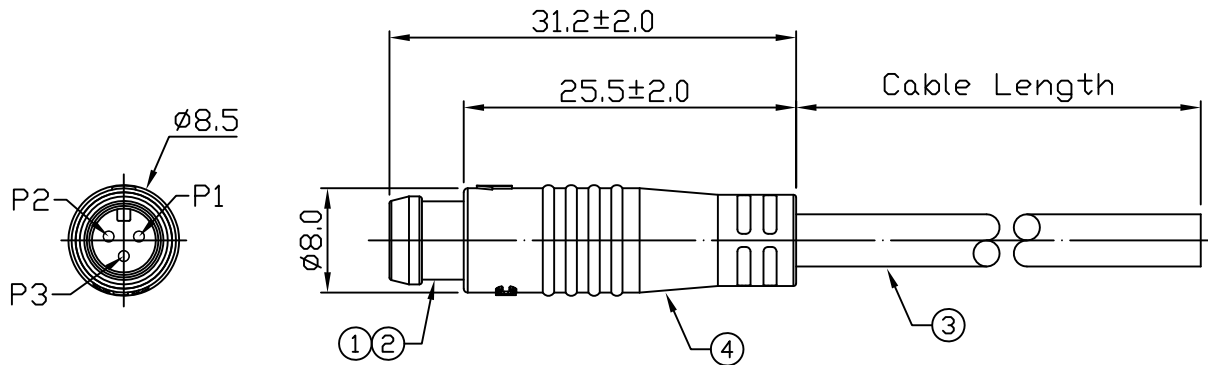
3

4

Notes: (Unless Otherwise Specified)

- 1. WaterProof Rate : IP67
- 2. RoHS Compliant.

REV	ECN#	DESCRIPTION OF REVISION	DRAW BY DATE	CHECK BY DATE	APPROVE BY DATE
A0			Jenny 05/20/22	Lucas 05/20/22	Ray 05/20/22



GT1S1434-02033-10	10000mm	+500
GT1S1434-02033-09	9000mm	+450
GT1S1434-02033-08	8000mm	+400
GT1S1434-02033-07	7000mm	+150
GT1S1434-02033-06	6000mm	+150
GT1S1434-02033-05	5000mm	+150
GT1S1434-02033-04	4000mm	+150
GT1S1434-02033-03	3000mm	+100
GT1S1434-02033-02	2000mm	+100
GT1S1434-02033-01	1000mm	+50
GT1S1434-02033-Z9	900mm	+50
GT1S1434-02033-Z8	800mm	+50
GT1S1434-02033-Z7	700mm	+50
GT1S1434-02033-Z6	600mm	+50
GT1S1434-02033-Z5	500mm	+50
GT1S1434-02033-Z4	400mm	+50
GT1S1434-02033-Z3	300mm	+25
GT1S1434-02033-Z2	200mm	+25
Part No.	Cable Length	Tol.

1	Black
2	Brown
3	Red

Wiring Diagram

Item	Part Name	Material / Finish	QTY
4	Over Mold	TPU Color: Black	1
3	Cable	UL20549 24AWG*3C+Al/My DD=4.0mm, TPU, Color: Black	1
2	Contacts	Copper Alloy Finish: Au Plated	3
1	Housing	Thermoplastic Color: Black	1

TITLE						DRAWING NUMBER			REV.	
Snap-in M6 5A Male 3P Cable End With 24 AWG Cable						GT1S1434-02033-XX			A0	
	B	1:1	Jenny 05/20/22	Lucas 05/20/22	Ray 05/20/22	X.X ± 0.5	X.XXX ± 0.05	mm	1/1	
THIRD ANGLE PROJECTION	SIZE	SCALE	DRAW / DATE	CHECK / DATE	APPROVE / DATE	TOLERANCES		UNIT	SHEET	

GT Contact CO.,LTD		
NOTICE OF PROPRIETARY PROPERTY: THE INFORMATION CONTAINED HEREIN IS THE PROPRIETARY PROPERTY OF GT Contact CO.,LTD THE POSSESSOR AGREES TO THE FOLLOWING: ① TO MAINTAIN THIS DOCUMENT IN CONFIDENCE ② NOT TO REPRODUCE OR COPY IT ③ NOT TO REVEAL OR PUBLISH IT IN WHOLE OR PART ④ ALL RIGHTS RESERVED		

1

2

3

4