

1

2

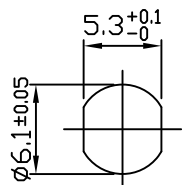
3

4

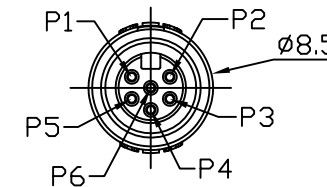
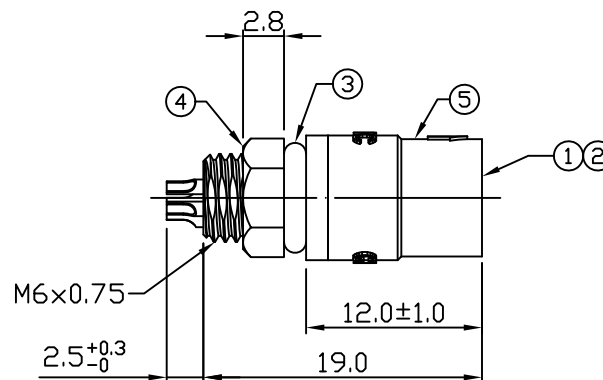
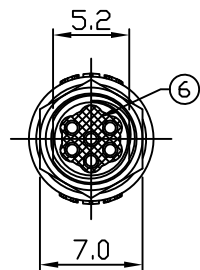
Notes: (Unless Otherwise Specified)

- 1. Waterproof Rate : IP67
- 2. Recommend Panel Thickness: 0.8 To 2.0 mm.
- 3. Recommend Torque: 5~6 Kgf-cm.
- 4. RoHS Compliant.

REV	ECN#	DESCRIPTION OF REVISION	DRAW BY DATE	CHECK BY DATE	APPROVE BY DATE
01			Hank 05/25/17	Lucas 05/25/17	Ray 05/25/17



Recommend Panel Cut-Out



6	Glue	Epoxy Color: Black	
5	Over Mold	TPU Color: Black	1
4	Hex Nut	Copper Alloy Finish: Ni Plated	1
3	O-Ring	Silicone Color: Gray	1
2	Contacts	Copper Alloy Finish: Au Plated	6
1	Housing	Thermoplastic Color: Black	1
Item	Part Name	Material / Finish	Q'ty



GT Contact CO.,LTD

NOTICE OF PROPRIETARY PROPERTY:
 THE INFORMATION CONTAINED HEREIN IS THE PROPRIETARY PROPERTY OF GT Contact CO.,LTD THE POSSESSOR AGREES TO THE FOLLOWING:
 (1) TO MAINTAIN THIS DOCUMENT IN CONFIDENCE
 (2) NOT TO REPRODUCE OR COPY IT
 (3) NOT TO REVEAL OR PUBLISH IT IN WHOLE OR PART
 (4) ALL RIGHTS RESERVED

TITLE						DRAWING NUMBER			REV.	
Snap-in M6 2A Female 6P Panel						GT1S1401-01060			01	
	B	1:1	Hank 05/25/17	Lucas 05/25/17	Ray 05/25/17	X.X ± 0.5	X.XXX ± 0.05	mm	1/1	
THIRD ANGLE PROJECTION	SIZE	SCALE	DRAW / DATE	CHECK / DATE	APPROVE / DATE	TOLERANCES		UNIT	SHEET	

1

2

3

4