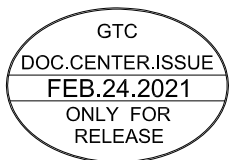
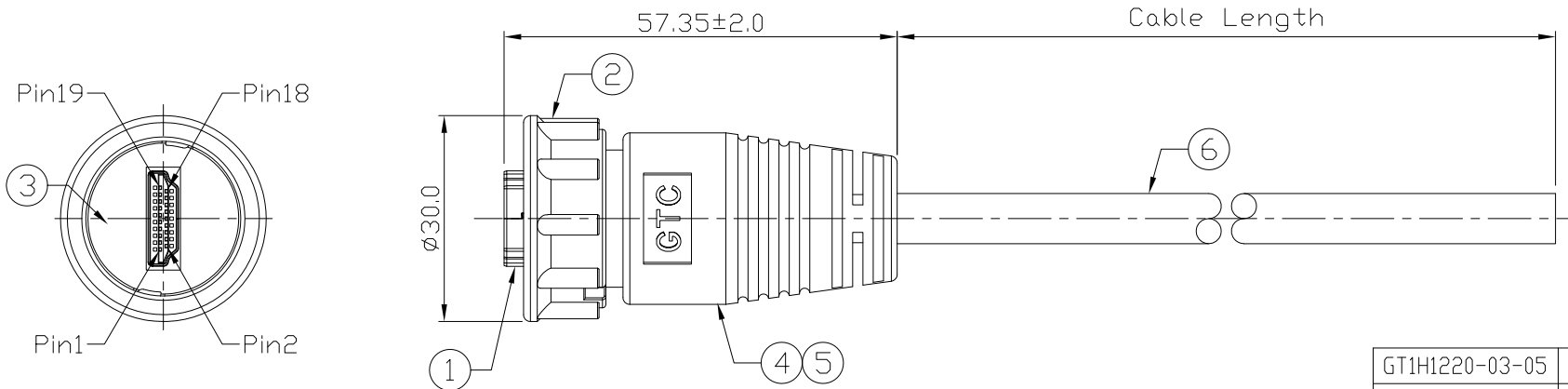


Notes: (Unless Otherwise Specified)

- 1. Waterproof Rate: IP67.
- 2. RoHS Compliant.

REV	ECN#	DESCRIPTION OF REVISION	DRAW BY DATE	CHECK BY DATE	APPROVE BY DATE
01			Aileen 02/23/21	Lucas 02/23/21	Ray 02/23/21



1	White
2	Drain
3	Brown
4	White
5	Drain
6	Red
7	White
8	Drain
9	Green
10	White
11	Drain
12	Blue
13	Red
15	White
16	Purple
18	Black
14	White
17	Drain
19	Orange
Shell	Braid

GT1H1220-03-05	5000 mm	+150
GT1H1220-03-04	4000 mm	+150
GT1H1220-03-03	3000 mm	+100
GT1H1220-03-02	2000 mm	+100
GT1H1220-03-01	1000 mm	+50
GT1H1220-03-Z9	900 mm	+50
GT1H1220-03-Z8	800 mm	+50
GT1H1220-03-Z7	700 mm	+50
GT1H1220-03-Z6	600 mm	+50
GT1H1220-03-Z5	500 mm	+50
GT1H1220-03-Z4	400 mm	+50
GT1H1220-03-Z3	300 mm	+25
GT1H1220-03-Z2	200 mm	+25
Part No.	Cable Length	Tol.

6	Cable	UL20276 [(28#/1PR+EAM)*5+(28#/4C)]+AB85%	1
5	Over Mold	PVC Color: Black	1
4	Inner Mold	Thermoplastic Color: Black	1
3	Rubber Pad	Silicone Color: Black	1
2	Lock Nut	Thermoplastic Color: Black	1
1	HDMI Plug	Housing: Thermoplastic, Color: Black Contacts: Copper Alloy, Finish: Au Plated Shell: Copper Alloy, Finish: Au Plated	1
Item	Part Name	Material / Finish	Q'ty

Wiring Diagram

GT Contact CO.,LTD

NOTICE OF PROPRIETARY PROPERTY:
THE INFORMATION CONTAINED HEREIN IS THE PROPRIETARY PROPERTY OF GT Contact CO.,LTD THE POSSESSOR AGREES TO THE FOLLOWING:
(a) TO MAINTAIN THIS DOCUMENT IN CONFIDENCE
(b) NOT TO REPRODUCE OR COPY IT
(c) NOT TO REVEAL OR PUBLISH IT IN WHOLE OR PART
(d) ALL RIGHTS RESERVED

TITLE						DRAWING NUMBER			REV.	
HDMI C4 Plastic Cable End Plug Lock With Cable						GT1H1220-03-XX			01	
THIRD ANGLE PROJECTION	SIZE	SCALE	DRAW / DATE	CHECK / DATE	APPROVE / DATE	TOLERANCES		UNIT	SHEET	
	B	1:1	Aileen 02/23/21	Lucas 02/23/21	Ray 02/23/21	X.X ± 0.5 X.XX ± 0.2	X.XXX ± 0.05 ANGLES ± 1°	mm	1/1	