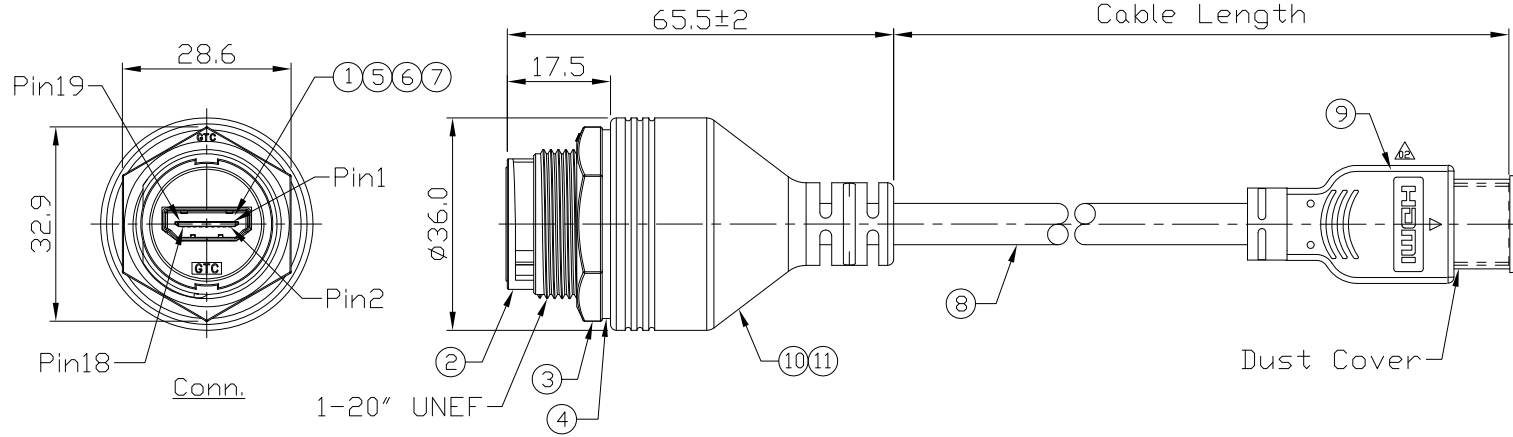


Notes: (Unless Otherwise Specified)

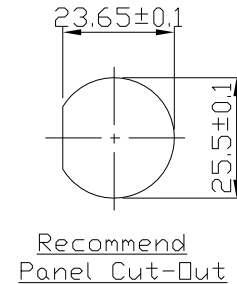
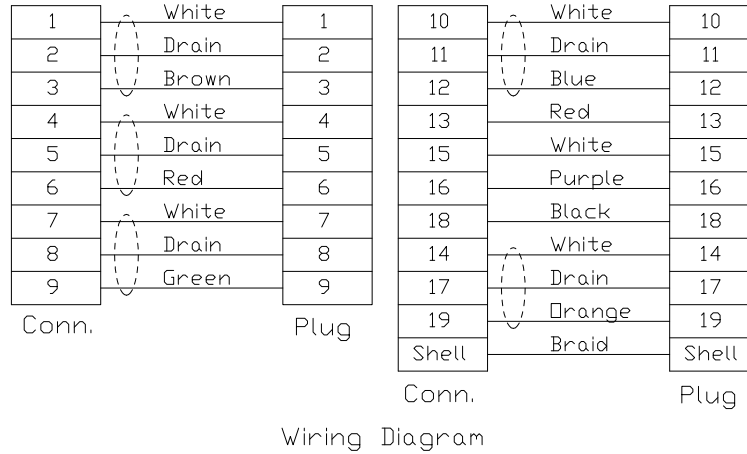
1. Waterproof Rate: IP67.
2. Recommend Panel Thickness: 0.8 to 6.0 mm.
3. Recommend Torque: 19~20 Kgf-cm.
4. Mating Cap P/N: GT1C1110X2.
5. RoHS Compliant.

REV	ECN#	DESCRIPTION OF REVISION	DRAW BY DATE	CHECK BY DATE	APPROVE BY DATE
02	ECN-211102	Change HDMI Plug And Molded.	Aileen 11/16/21	Lucas 11/16/21	Ray 11/16/21



GTC  
DOC.CENTER.ISSUE  
NOV.17.2021  
ONLY FOR  
RELEASE

Item	Part Name	Material / Finish	Q'ty
11	Over Mold	PVC Color: Black	1
10	Inner Mold	Thermoplastic Color: White Or Black	1
9	HDMI Male	HDMI 19P Male IDC Type Color: Black	1
8	Cable	UL20276 [(28#/1PR+EAM)*5+(28#/4C)]+AB85% Color: Black, OD=7.3mm	1
7	Glue	Epoxy Color: Black	
6	Hold	Silicone Color: Black	1
5	PCB	FR-4 Color: Black	1
4	Gasket	Silicone Color: Black	1
3	Hex Nut	Thermoplastic Color: Black	1
2	Housing	Thermoplastic Color: Black	1
1	HDMI Female	Housing: Thermoplastic, Color: Black Contacts: Copper Alloy, Finish: Au Plated Shell: Copper Alloy, Finish: Ni Plated	1



Part No.	Cable Length	Tol.
GT1H1210-02-05	5000 mm	+150
GT1H1210-02-04	4000 mm	+150
GT1H1210-02-03	3000 mm	+100
GT1H1210-02-02	2000 mm	+100
GT1H1210-02-01	1000 mm	+50
GT1H1210-02-Z9	900 mm	+50
GT1H1210-02-Z8	800 mm	+50
GT1H1210-02-Z7	700 mm	+50
GT1H1210-02-Z6	600 mm	+50
GT1H1210-02-Z5	500 mm	+50
GT1H1210-02-Z4	400 mm	+50
GT1H1210-02-Z3	300 mm	+50
GT1H1210-02-Z2	200 mm	+25

GT Contact CO.,LTD

NOTICE OF PROPRIETARY PROPERTY:  
THE INFORMATION CONTAINED HEREIN IS THE PROPRIETARY PROPERTY OF GT CONTACT CO.,LTD. THE POSSESSOR AGREES TO THE FOLLOWING:  
(a) TO MAINTAIN THIS DOCUMENT IN CONFIDENCE  
(b) NOT TO REPRODUCE OR COPY IT  
(c) NOT TO REVEAL OR PUBLISH IT IN WHOLE OR PART  
(d) ALL RIGHTS RESERVED

TITLE						DRAWING NUMBER			REV.
HDMI C4 Plastic Cable To Cable Female Lock With HDMI Plug						GT1H1210-02-XX			02
DD NOT SCALE DRAWINGS	B	1:1	Hank 08/05/20	Lucas 08/05/20	Ray 08/05/20	X.X ± 0.5 X.XX ± 0.2	X.XXX ± 0.05 ANGLES ± 1°	mm	1/1
THIRD ANGLE PROJECTION	SIZE	SCALE	DRAW / DATE	CHECK / DATE	APPROVE / DATE	TOLERANCES		UNIT	SHEET