

1

2

3

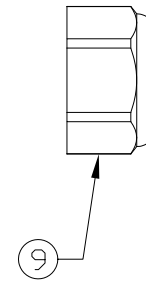
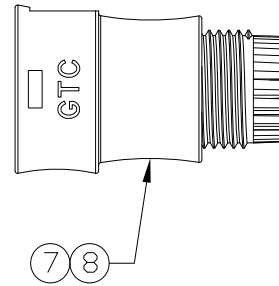
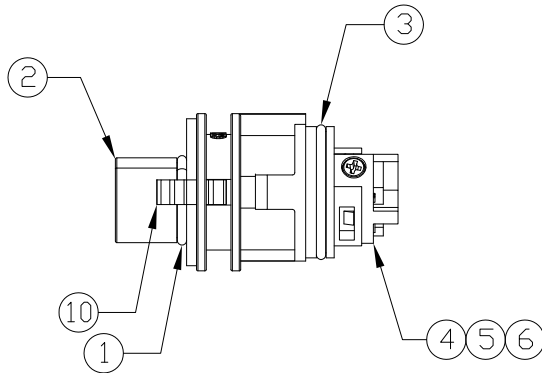
4

Notes: (Unless Otherwise Specified)

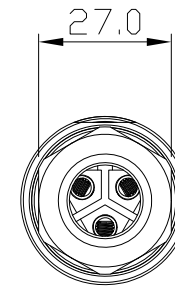
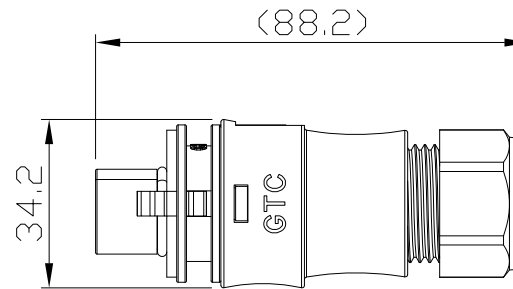
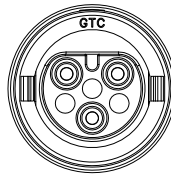
- 1. Waterproof Rate: IP67.
- 2. Suitable Cable  $\varnothing$ D=10mm To 14mm
- 3. Recommend Gland Nut Torque: 15~20 Kgf-cm.
- 4. RoHS Compliant.

REV	ECN#	DESCRIPTION OF REVISION	DRAW BY DATE	CHECK BY DATE	APPROVE BY DATE
01			Lucas 05/15/14	Ray 05/15/14	Ray 05/15/14

GTC  
R&D DEPT. ISSUE  
MAY.27.2014  
ONLY FOR  
RELEASE



10	Clamp	Thermoplastic Color: Red	1
9	Gland Nut	Thermoplastic Color: Black	1
8	Gland	Silicone Color: Black	1
7	Cover	Thermoplastic Color: Black	1
6	Machine Screw	SUS303	3
5	Fixed lid Male 3P	Thermoplastic Color: Black	1
4	Contacts	Copper Alloy Finish: Ni Plated	3
3	O-ring	Silicone Color: Red	1
2	Housing	Thermoplastic Color: Black	1
1	O-ring	Silicone Color: Red	1
Item	Part Name	Material / Finish	Q'ty



TITLE						DRAWING NUMBER			REV.
Power M25 30A 3P Field Installable Cable End Male Screw-in Push Lock						GT1E2411-41033			01
	B	1:1	Lucas 05/15/14	Ray 05/15/14	Ray 05/15/14	X.X ± 0.5 X.XX ± 0.2	X.XXX ± 0.05 ANGLES ± 1°	mm	1/1
THIRD ANGLE PROJECTION	SIZE	SCALE	DRAW / DATE	CHECK / DATE	APPROVE / DATE	TOLERANCES		UNIT	SHEET

GT Contact CO.,LTD

NOTICE OF PROPRIETARY PROPERTY:

THE INFORMATION CONTAINED HEREIN IS THE PROPRIETARY PROPERTY OF GT Contact CO.,LTD THE POSSESSOR AGREES TO THE FOLLOWING:

- (a) TO MAINTAIN THIS DOCUMENT IN CONFIDENCE
- (b) NOT TO REPRODUCE OR COPY IT
- (c) NOT TO REVEAL OR PUBLISH IT IN WHOLE OR PART
- (d) ALL RIGHTS RESERVED

1

2

3

4