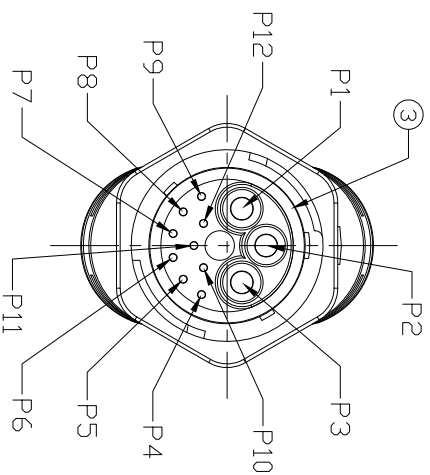
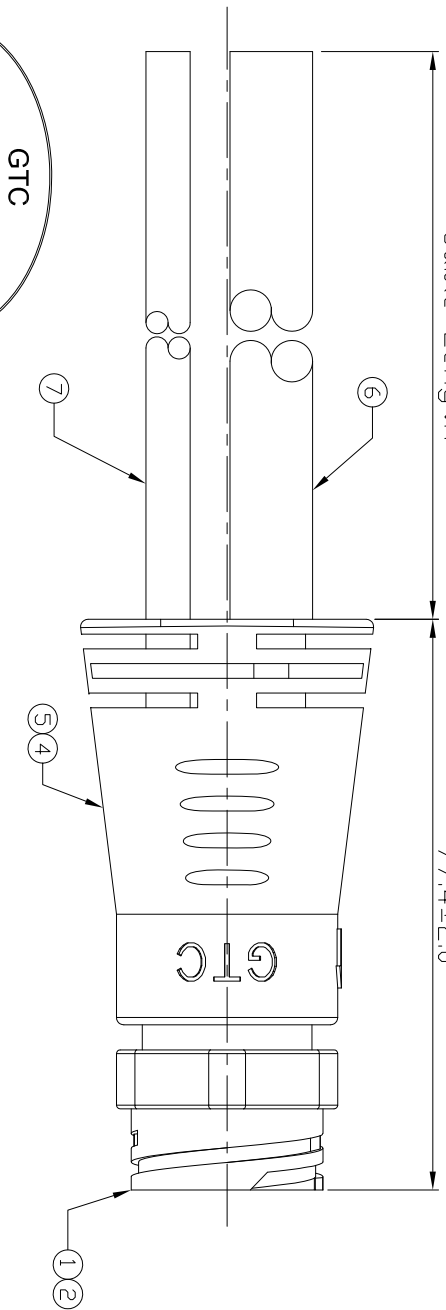


Notes: (Unless Otherwise Specified)
 1. Waterproof Rate: IP67.
 2. RoHS Compliant.

REV	ECN#	DESCRIPTION OF REVISION	DRAW BY DATE	CHECK BY DATE	APPROVE BY DATE
A0	ECN-121120	Mass Production	Lucas 11/22/12	Lucas 11/22/12	Roy 11/22/12

Cable Length

77.4±2.0



GTC
 DOC.CENTER.ISSUE
 NOV.27.2012
 ONLY FOR
 RELEASE

Item	Part Name	Material / Finish	Qty
7	FTP CAT-5e	UL2835 24AWG*4P+MEA, DD=6.0mm Color: Black	1
6	STDW	STDW 12AWG*3C, DD=15.1mm Color: Black	1
5	Diver Mold	PVC Color: Black	1
4	Inner Mold	Thermoplastic Color: White Or Black	1
3	O-ring	Silicone Color: Red	1
2	Contacts	Copper Alloy Finish: Gold Flash	12
1	Housing	Thermoplastic Color: Black	1

STDW	Color
1	Black
2	Green
3	White
4	Brown
5	Brown/White
6	Blue
7	Blue/White
8	Orange
9	Orange/White
10	Green
11	Green/White
12	Drain

Wiring Diagram

GT1D5133-25394-10(F)	10000 mm	±500
GT1D5133-25394-09(F)	9000 mm	±450
GT1D5133-25394-08(F)	8000 mm	±400
GT1D5133-25394-07(F)	7000 mm	±350
GT1D5133-25394-06(F)	6000 mm	±300
GT1D5133-25394-05(F)	5000 mm	±250
GT1D5133-25394-04(F)	4000 mm	±200
GT1D5133-25394-03(F)	3000 mm	±150
GT1D5133-25394-02(F)	2000 mm	±100
GT1D5133-25394-01(F)	1000 mm	±50
GT1D5133-25394-29(F)	900 mm	±40
GT1D5133-25394-28(F)	800 mm	±40
GT1D5133-25394-27(F)	700 mm	±40
GT1D5133-25394-26(F)	600 mm	±40
GT1D5133-25394-25(F)	500 mm	±40

Part No.	Cable Length	Tol.

Hybrid C5 20A+5A 3P+9P Cable To Cable Male Twist Lock

DRAWING NUMBER	REV.
GT1D5133-25394-XX(F)	A0

DD NOT SCALE DRAWINGS	B	1:1	Lucas 05/04/12	Lucas 05/04/12	Roy 05/04/12	± 0.5 ANGLES ± 1°	mm	1/1
THIRD ANGLE PROJECTION	SIZE	SCALE	DRAW / DATE	CHECK / DATE	APPROVE / DATE	TOLERANCES	UNIT	SHEET

GT Contact CD,LTID

NOTICE OF PROPRIETARY PROPERTY:
 THE INFORMATION CONTAINED HEREIN IS THE PROPRIETARY PROPERTY OF GT CONTACT CO,LTID THE POSSESSOR AGREES TO MAINTAIN THIS DOCUMENT IN CONFIDENCE AND NOT TO REPRODUCE, PUBLISH IT IN WHOLE OR PART (BY) ALL RIGHTS RESERVED