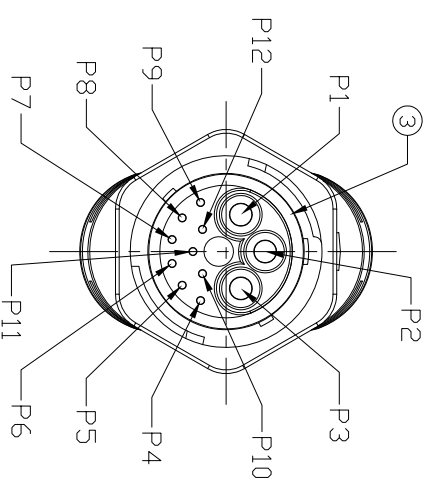
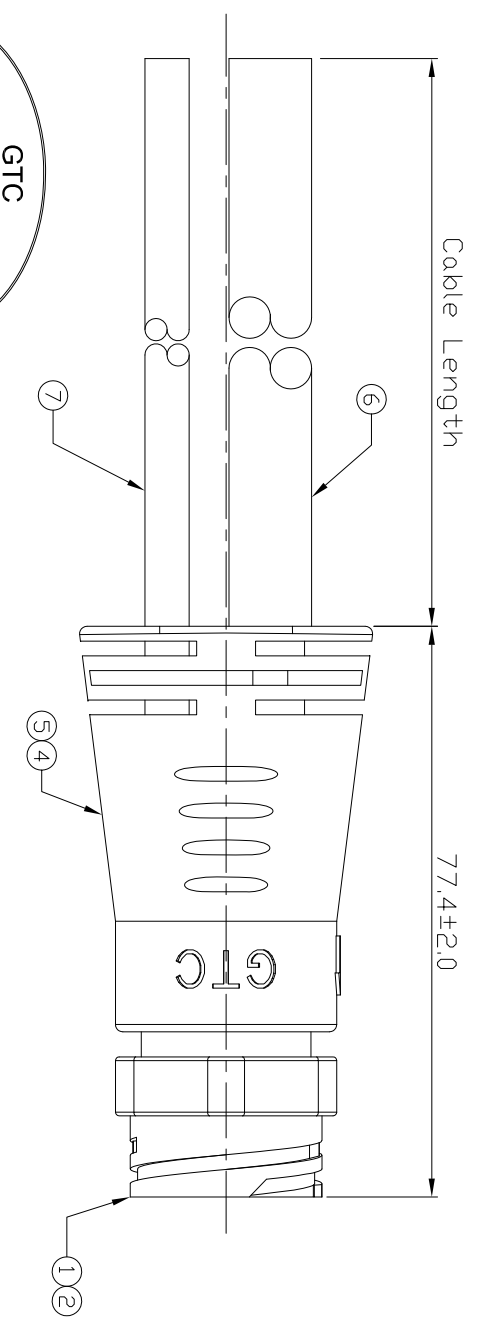


Notes: (Unless Otherwise Specified)
 1. Waterproof Rate: IP67.
 2. RoHS Compliant.

REV	ECN#	DESCRIPTION OF REVISION	DRAW BY DATE	CHECK BY DATE	APPROVE BY DATE
A0	ECN-121120	Mass Production	Lucas 11/22/12	Lucas 11/22/12	Roy 11/22/12



GTC
 DOC.CENTER.ISSUE
 NOV.27.2012
 ONLY FOR
 RELEASE

Item	Part Name	Material / Finish	Qty
7	FTP CAT-5e	UL2835 24AWG*4P+MEA, DD=6.0mm Color: Black	1
6	SJTW	SJTW 14AWG*3C, DD=9.3mm Color: Black	1
5	Diver Mold	PVC Color: Black	1
4	Inner Mold	Thermoplastic Color: White Or Black	1
3	D-ring	Silicone Color: Red	1
2	Contacts	Copper Alloy Finish: Gold Flash	12
1	Housing	Thermoplastic Color: Black	1

SJTW		Color
1	1	Black
2	2	Green
3	3	White
4	4	Brown
5	5	Brown/White
6	6	Blue
7	7	Blue/White
8	8	Orange
9	9	Orange/White
10	10	Green
11	11	Green/White
12	12	Drain

Wiring Diagram

GT1D5133-25393-10(F)	10000 mm	±500
GT1D5133-25393-09(F)	9000 mm	±450
GT1D5133-25393-08(F)	8000 mm	±400
GT1D5133-25393-07(F)	7000 mm	±350
GT1D5133-25393-06(F)	6000 mm	±300
GT1D5133-25393-05(F)	5000 mm	±250
GT1D5133-25393-04(F)	4000 mm	±200
GT1D5133-25393-03(F)	3000 mm	±150
GT1D5133-25393-02(F)	2000 mm	±100
GT1D5133-25393-01(F)	1000 mm	±50
GT1D5133-25393-29(F)	900 mm	±40
GT1D5133-25393-28(F)	800 mm	±40
GT1D5133-25393-27(F)	700 mm	±40
GT1D5133-25393-26(F)	600 mm	±40
GT1D5133-25393-25(F)	500 mm	±40

Hybrid C5 20A+5A 3P+9P Cable To Cable Male Twist Lock

TITLE	DRAWING NUMBER	REV.
Hybrid C5 20A+5A 3P+9P Cable To Cable Male Twist Lock	GT1D5133-25393-XX(F)	A0

GT Contact CD,LTID

NOTICE OF PROPRIETARY PROPERTY:
 THE INFORMATION CONTAINED HEREIN IS THE PROPRIETARY PROPERTY OF GT Contact CO,LTID THE POSSESSOR AGREES TO MAINTAIN THIS DOCUMENT IN CONFIDENCE AND NOT TO REPRODUCE, PUBLISH IT IN WHOLE OR PART (C) ALL RIGHTS RESERVED

THIRD ANGLE PROJECTION	SIZE	SCALE	DRAW / DATE	CHECK / DATE	APPROVE / DATE	TOLERANCES	UNIT	SHEET
1	B	1:1	Lucas 04/27/12	Lucas 04/27/12	Roy 04/27/12	± 0.05 ANGLES ± 1°	mm	1/1