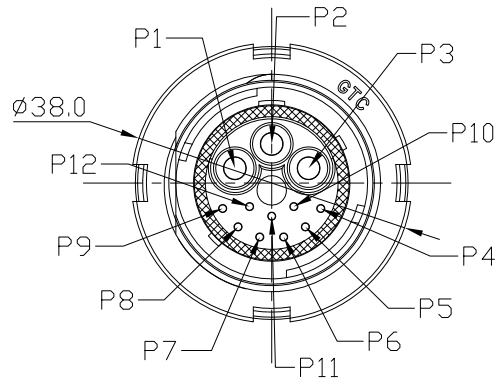


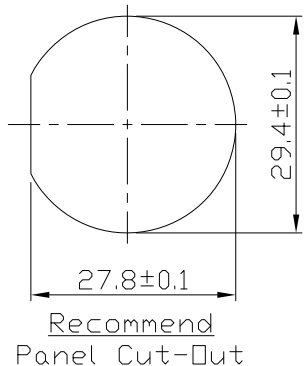
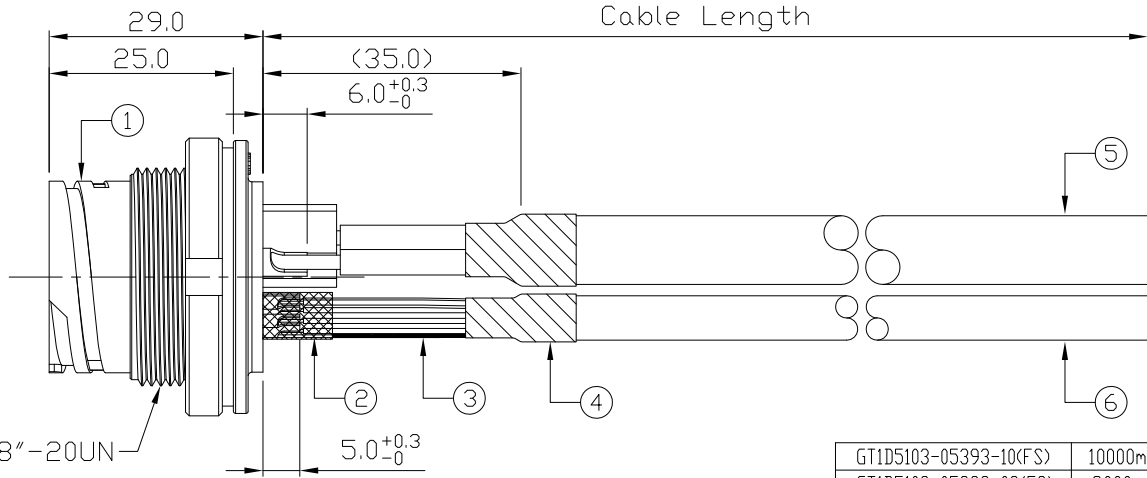
Notes: (Unless Otherwise Specified)

1. Waterproof Rate: IP67.
2. Recommend Panel Thickness: 0.8 to 4.0 mm.
3. Recommend Torque: 24.0~25.0 Kgf-cm.
4. Mating Cap P/N: GT1C5511X2.
5. RoHS Compliant.

REV	ECN#	DESCRIPTION OF REVISION	DRAW BY DATE	CHECK BY DATE	APPROVE BY DATE
A0			Aileen 01/18/21	Lucas 01/18/21	Ray 01/18/21



GTC
DOC.CENTER.ISSUE
JAN.19.2021
ONLY FOR
RELEASE



Color	Wiring Diagram
Black	1
Green	2
White	3
Brown	4
Brown/White	5
Blue	6
Blue/White	7
Orange	8
Orange/White	9
Green	10
Green/White	11
Drain	12

Part No.	Cable Length	Tol.
GT1D5103-05393-10(FS)	10000mm	+500
GT1D5103-05393-09(FS)	9000mm	+450
GT1D5103-05393-08(FS)	8000mm	+400
GT1D5103-05393-07(FS)	7000mm	+150
GT1D5103-05393-06(FS)	6000mm	+150
GT1D5103-05393-05(FS)	5000mm	+150
GT1D5103-05393-04(FS)	4000mm	+150
GT1D5103-05393-03(FS)	3000mm	+100
GT1D5103-05393-02(FS)	2000mm	+100
GT1D5103-05393-01(FS)	1000mm	+50
GT1D5103-05393-29(FS)	900mm	+50
GT1D5103-05393-28(FS)	800mm	+50
GT1D5103-05393-27(FS)	700mm	+50
GT1D5103-05393-26(FS)	600mm	+50
GT1D5103-05393-25(FS)	500mm	+50
GT1D5103-05393-24(FS)	400mm	+50
GT1D5103-05393-23(FS)	300mm	+25
GT1D5103-05393-22(FS)	200mm	+25
GT1D5103-05393-21(FS)	100mm	+25

Item	Part Name	Material / Finish	Q'ty
6	FTP CAT-5e	UL2835 24AWG*4P+MEA DD=6.00mm, Color: Black	1
5	SJTW	SJTW 14AWG*3C DD=9.3mm, Color: Black	1
4	Shrink Tube	L=20mm Color: Black	2
3	Shrink Tube	L=30mm Color: Black	1
2	Shrink Tube	GT Contact Color: Black	9
1	Hybrid C5 20A+5A 3P+9P Panel Male Solder Twist Lock	GT Contact P/N: GT1D5103-05393(FS)	1

Wiring Diagram

GT Contact CO.,LTD

TITLE						DRAWING NUMBER			REV.	
Hybrid C5 20A+5A 3P+9P Panel Male Solder Twist Lock With Cable						GT1D5103-05393-XX(FS)			A0	
THIRD ANGLE PROJECTION	SIZE	SCALE	DRAW / DATE	CHECK / DATE	APPROVE / DATE	TOLERANCES		UNIT	SHEET	
	B	1:1	Aileen 01/18/21	Lucas 01/18/21	Ray 01/18/21	XX ± 0.5 XXX ± 0.2	X.XXX ± 0.05 ANGLES ± 1°	mm	1/1	

NOTICE OF PROPRIETARY PROPERTY:
THE INFORMATION CONTAINED HEREIN IS THE PROPRIETARY PROPERTY OF GT Contact CO.,LTD THE POSSESSOR AGREES TO THE FOLLOWING:
(A) TO MAINTAIN THIS DOCUMENT IN CONFIDENCE
(B) NOT TO REPRODUCE OR COPY IT
(C) NOT TO REVEAL OR PUBLISH IT IN WHOLE OR PART
(D) ALL RIGHTS RESERVED