

1

2

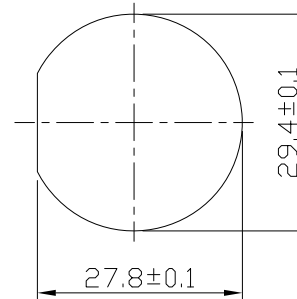
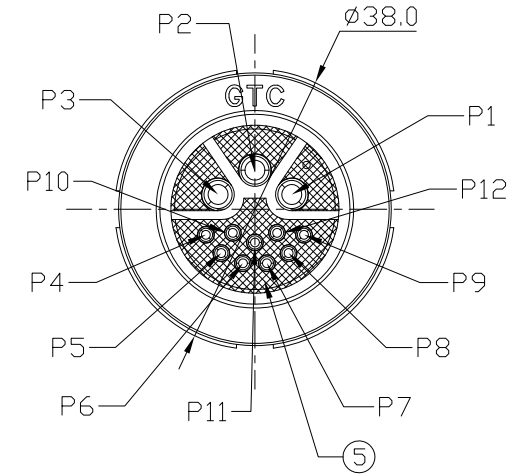
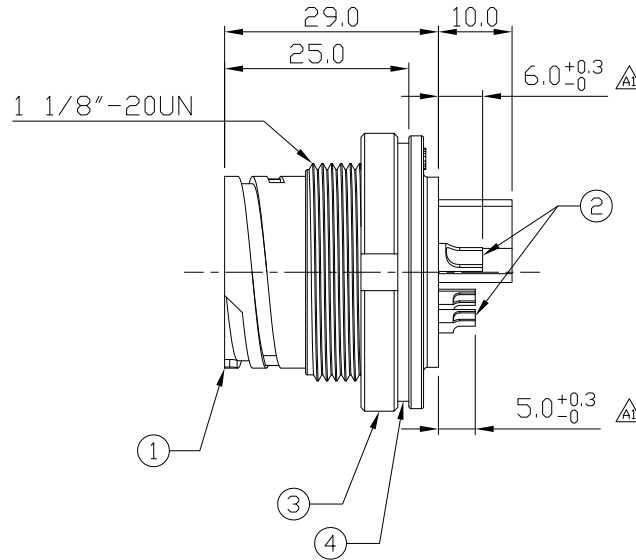
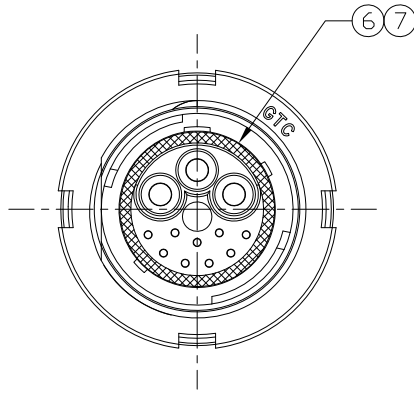
3

4

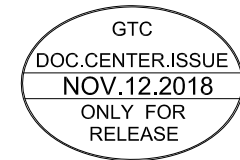
Notes: (Unless Otherwise Specified)

- 1. Waterproof Rate: IP67.
- 2. Recommend Panel Thickness: 0.8 to 4.0 mm.
- 3. Recommend Torque: 24.0~25.0 Kgf-cm.
- 4. Mating Cap P/N: GT1C5511X2.
- 5. RoHS Compliant.

REV	ECN#	DESCRIPTION OF REVISION	DRAW BY DATE	CHECK BY DATE	APPROVE BY DATE
A1	ECN-181113	6.0 <sup>+0.2</sup> <sub>-0</sub> => 6.0 <sup>+0.3</sup> <sub>-0</sub> , 5.0 <sup>+0.2</sup> <sub>-0</sub> => 5.0 <sup>+0.3</sup> <sub>-0</sub>	Whitney 11/12/18	Lucas 11/12/18	Ray 11/12/18



Recommend Panel Cut-Out



Item	Part Name	Material / Finish	Q'ty
7	Glue	Cyanoacrylate adhesive Color: Clean	
6	O-Ring	Silicone Color: Red	1
5	Glue	Epoxy Color: Black	
4	Gasket	Silicone Color: Black	1
3	Spanner Nut	Thermoplastic Color: Black	1
2	Contacts	Copper Alloy Finish: Gold Flash	12
1	Housing	Thermoplastic Color: Black	1

TITLE Hybrid C5 20A+5A 3P+9P Panel Male Solder Twist Lock						DRAWING NUMBER GT1D5103-05390(FS)			REV. A1	
THIRD ANGLE PROJECTION	SIZE B	SCALE 1:1	DRAW / DATE Lucas 04/05/12	CHECK / DATE Lucas 04/05/12	APPROVE / DATE Ray 04/05/12	TOLERANCES X.X ± 0.5 X.XX ± 0.2	ANGLES X.XXX ± 0.05 ± 1°	UNIT mm	SHEET 1/1	

GT Contact CO.,LTD

NOTICE OF PROPRIETARY PROPERTY:  
THE INFORMATION CONTAINED HEREIN IS THE PROPRIETARY PROPERTY OF GT Contact CO.,LTD THE POSSESSOR AGREES TO THE FOLLOWING:  
(i) TO MAINTAIN THIS DOCUMENT IN CONFIDENCE  
(ii) NOT TO REPRODUCE OR COPY IT  
(iii) NOT TO REVEAL OR PUBLISH IT IN WHOLE OR PART  
(iv) ALL RIGHTS RESERVED

1

2

3

4