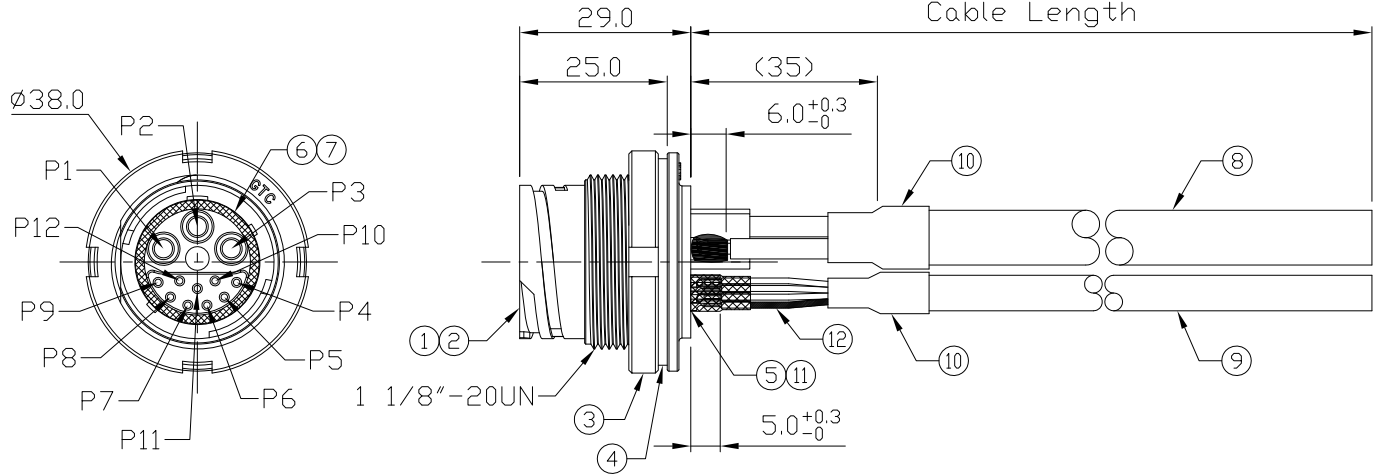


Notes: (Unless Otherwise Specified)

1. Waterproof Rate: IP67.
2. Recommend Panel Thickness: 0.8 to 4.0 mm.
3. Recommend Torque: 24.0~25.0 Kgf-cm.
4. Mating Cap P/N: GT1C5511X2.
5. RoHS Compliant.

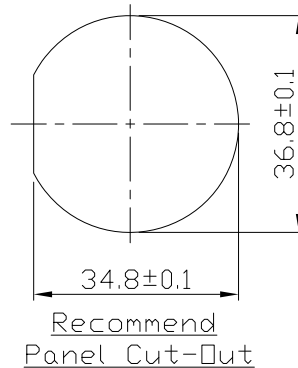
GTC
DOC.CENTER.ISSUE
AUG.12.2020
ONLY FOR
RELEASE



12	Shrink Tube	L=30mm Color: Black	1
11	Shrink Tube	L=10mm Color: Black	9
10	Shrink Tube	L=20mm Color: Black	2
9	FTP CAT-5e	UL2835 24AWG*4P+MEA, OD=6.0mm Color: Black	1
8	SJTW	SJTW 14AWG*3C, OD=9.3mm Color: Black	1
7	Glue	Cyanoacrylate adhesive Color: Clean	
6	O-Ring	Silicone Color: Red	1
5	Glue	Epoxy Color: Black	
4	Gasket	Silicone Color: Black	1
3	Spanner Nut	Thermoplastic Color: Black	1
2	Contacts	Copper Alloy Finish: Gold Flash	12
1	Housing	Thermoplastic Color: Black	1
Item	Part Name	Material / Finish	Q'ty

SJTW	1	Black
	2	Green
	3	White
CAT-5e	4	Brown
	5	Brown/White
	6	Blue
	7	Blue/White
	8	Orange
	9	Orange/White
	10	Green
	11	Green/White
	12	Drain

Wiring Diagram



Recommend Panel Cut-Out

GT1D5102-05393-10(FS)	10000mm	+500
GT1D5102-05393-09(FS)	9000mm	+450
GT1D5102-05393-08(FS)	8000mm	+400
GT1D5102-05393-07(FS)	7000mm	+150
GT1D5102-05393-06(FS)	6000mm	+150
GT1D5102-05393-05(FS)	5000mm	+150
GT1D5102-05393-04(FS)	4000mm	+150
GT1D5102-05393-03(FS)	3000mm	+100
GT1D5102-05393-02(FS)	2000mm	+100
GT1D5102-05393-01(FS)	1000mm	+50
GT1D5102-05393-Z9(FS)	900mm	+50
GT1D5102-05393-Z8(FS)	800mm	+50
GT1D5102-05393-Z7(FS)	700mm	+50
GT1D5102-05393-Z6(FS)	600mm	+50
GT1D5102-05393-Z5(FS)	500mm	+50
Part No.	Cable Length	Tol.

GT Contact CO.,LTD

NOTICE OF PROPRIETARY PROPERTY:

THE INFORMATION CONTAINED HEREIN IS THE PROPRIETARY PROPERTY OF GT CONTACT CO.,LTD THE POSSESSOR AGREES TO THE FOLLOWING:
 (A) TO MAINTAIN THIS DOCUMENT IN CONFIDENCE
 (B) NOT TO REPRODUCE OR COPY IT
 (C) NOT TO REVEAL OR PUBLISH IT IN WHOLE OR PART
 (D) ALL RIGHTS RESERVED

TITLE Hybrid C5 20A+5A 3P+9P Panel Female Solder Twist Lock						DRAWING NUMBER GT1D5102-05393-XX(FS)			REV. A2	
THIRD ANGLE PROJECTION	SIZE	SCALE	DRAW / DATE	CHECK / DATE	APPROVE / DATE	TOLERANCES		UNIT	SHEET	
	B	1:1	Hank 07/22/20	Lucas 07/22/20	Ray 07/22/20	X.X ± 0.5 X.XX ± 0.2	X.XXX ± 0.05 ANGLES ± 1°	mm	1/1	