

1

2

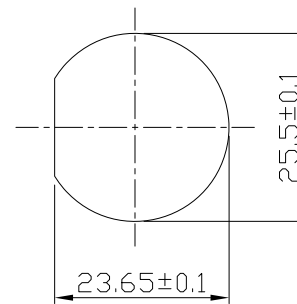
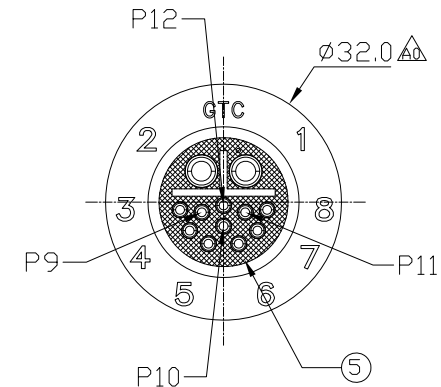
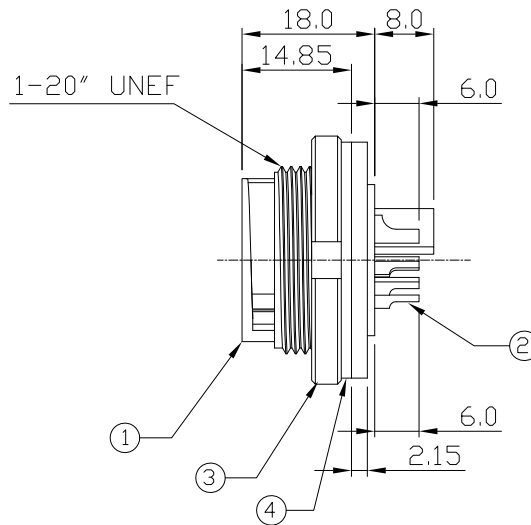
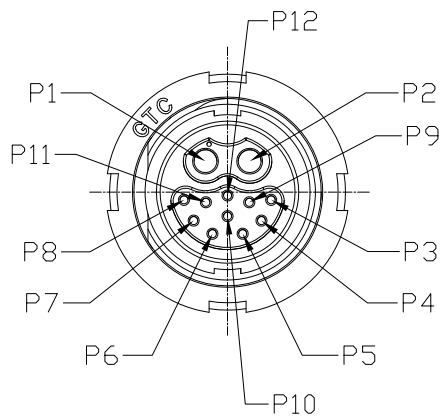
3

4

REV	ECN#	DESCRIPTION OF REVISION	DRAW BY DATE	CHECK BY DATE	APPROVE BY DATE
A0	ECN-201212	Flange OD Change From 34mm to 32mm	Lucas 12/14/20	Lucas 12/14/20	Ray 12/14/20

Notes: (Unless Otherwise Specified)

- 1. Waterproof Rate: IP67.
- 2. Recommend Panel Thickness: 0.8 to 4.0 mm.
- 3. Recommend Torque: 19.0~20.0 Kgf-cm.
- 4. Mating Cap P/N: GT1C542122.
- 5. RoHS Compliant.



Recommend Panel Cut-Out



Item	Part Name	Material / Finish	Q'ty
5	Glue	Epoxy Color: Black	
4	Gasket	Silicone Color: Black	1
3	Spanner Nut	Thermoplastic Color: Black	1
2	Contacts	Copper Alloy Finish: Au Plated	12
1	Housing	Thermoplastic Color: Black	1

TITLE						DRAWING NUMBER			REV.
C4 25A+5A 2P+10P Panel Female Solder Lock (Code A)						GT1D4202-052A0(FS)			A0
THIRD ANGLE PROJECTION	SIZE	SCALE	DRAW / DATE	CHECK / DATE	APPROVE / DATE	TOLERANCES	UNIT	SHEET	
	B	1:1	Lucas 05/15/14	Ray 05/15/14	Ray 05/15/14	X.X ± 0.5 X.XX ± 0.2	mm	1/1	
						X.XXX ± 0.05 ANGLES ± 1°			

GT Contact CO.,LTD

NOTICE OF PROPRIETARY PROPERTY:
 THE INFORMATION CONTAINED HEREIN IS THE PROPRIETARY PROPERTY OF GT CONTACT CO.,LTD THE POSSESSOR AGREES TO THE FOLLOWING:
 (A) TO MAINTAIN THIS DOCUMENT IN CONFIDENCE
 (B) NOT TO REPRODUCE OR COPY IT
 (C) NOT TO REVEAL OR PUBLISH IT IN WHOLE OR PART
 (D) ALL RIGHTS RESERVED

1

2

3

4