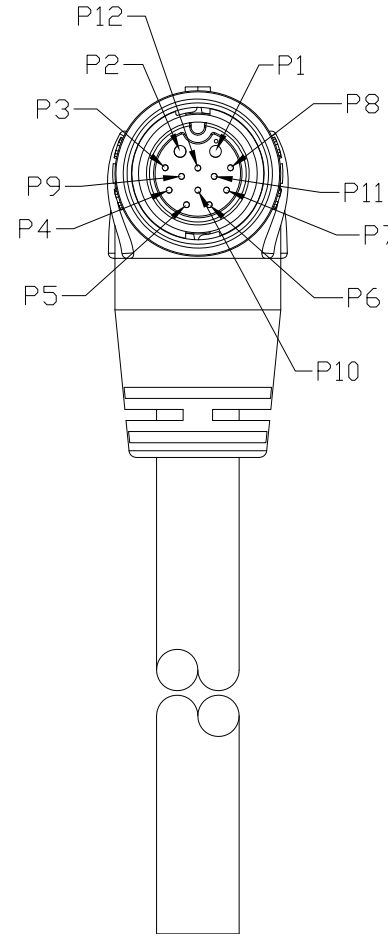
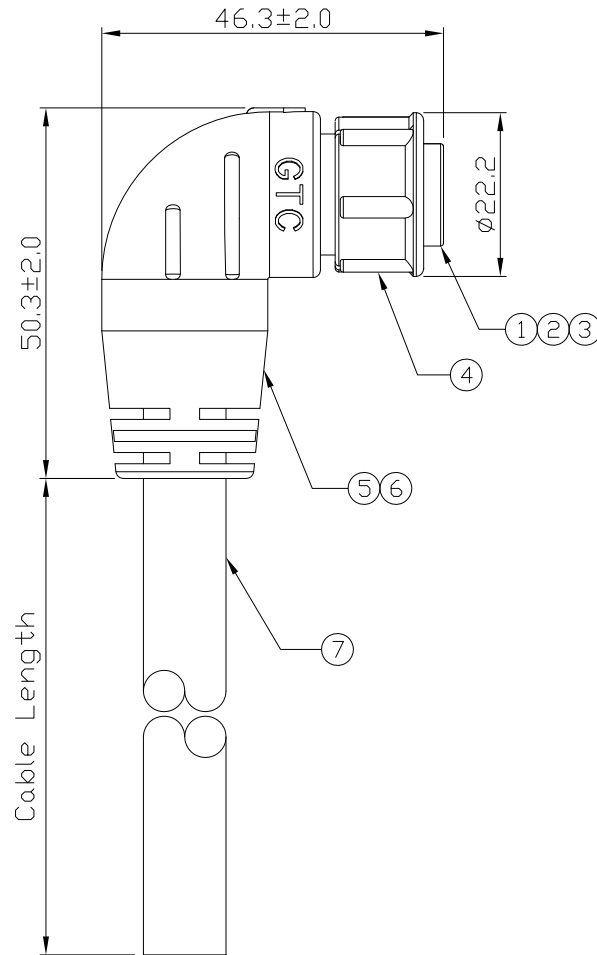


Notes: (Unless Otherwise Specified)
 1. Waterproof Rate : IP67.
 2. RoHS Compliant.

REV	ECN#	DESCRIPTION OF REVISION	DRAW BY DATE	CHECK BY DATE	APPROVE BY DATE
01			Lucas 04/08/16	Ray 04/08/16	Ray 04/08/16

1	Black/White
2	Black/Red
3	Black
Twist 4	Brown
5	Red
Twist 6	Orange
7	Yellow
Twist 8	Green
9	Blue
Twist 10	Purple
11	Gray
Twist 12	White

Wiring Diagram



GTC
 R&D DEPT. ISSUE
 APR.15.2016
 ONLY FOR
 RELEASE

GT1D3263-282A1-10(F)	10000 mm	+500
GT1D3263-282A1-09(F)	9000 mm	+450
GT1D3263-282A1-08(F)	8000 mm	+400
GT1D3263-282A1-07(F)	7000 mm	+150
GT1D3263-282A1-06(F)	6000 mm	+150
GT1D3263-282A1-05(F)	5000 mm	+150
GT1D3263-282A1-04(F)	4000 mm	+150
GT1D3263-282A1-03(F)	3000 mm	+100
GT1D3263-282A1-02(F)	2000 mm	+100
GT1D3263-282A1-01(F)	1000 mm	+50
GT1D3263-282A1-Z9(F)	900 mm	+50
GT1D3263-282A1-Z8(F)	800 mm	+50
GT1D3263-282A1-Z7(F)	700 mm	+50
GT1D3263-282A1-Z6(F)	600 mm	+50
GT1D3263-282A1-Z5(F)	500 mm	+50
GT1D3263-282A1-Z4(F)	400 mm	+50
GT1D3263-282A1-Z3(F)	300 mm	+25
GT1D3263-282A1-Z2(F)	200 mm	+25
Part No.	Cable Length	Tol.

Item	Part Name	Material / Finish	Q'ty
7	Cable	UL2464 (5P*22AWG+A+2C*14AWG)+AL/My+D Color:Black, OD=11.2mm	1
6	Over Mold	PVC Color: Black	1
5	Inner Mold	Thermoplastic Color: White or Black	1
4	Lock Nut	Thermoplastic Color: Black	1
3	O-Ring	Silicone Color: Red	1
2	Contacts	Copper Alloy Finish: Au Plated	12
1	Housing	Thermoplastic Color: Black	1

TITLE C3 15A+2A 2P+10P Cable End Male Lock						DRAWING NUMBER GT1D3263-282A1-XX(F)			REV. 01	
THIRD ANGLE PROJECTION	SIZE B	SCALE 1:1	DRAW / DATE Lucas 04/08/16	CHECK / DATE Lucas 04/08/16	APPROVE / DATE Ray 04/08/16	TOLERANCES X.X ± 0.5 X.XX ± 0.2		UNIT mm		SHEET 1/1

GT Contact CO.,LTD

NOTICE OF PROPRIETARY PROPERTY:
 THE INFORMATION CONTAINED HEREIN IS THE PROPRIETARY PROPERTY OF GT Contact CO.,LTD THE POSSESSOR AGREES TO THE FOLLOWING:
 (A) TO MAINTAIN THIS DOCUMENT IN CONFIDENCE
 (B) NOT TO REPRODUCE OR COPY IT
 (C) NOT TO REVEAL OR PUBLISH IT IN WHOLE OR PART
 (D) ALL RIGHTS RESERVED