

1

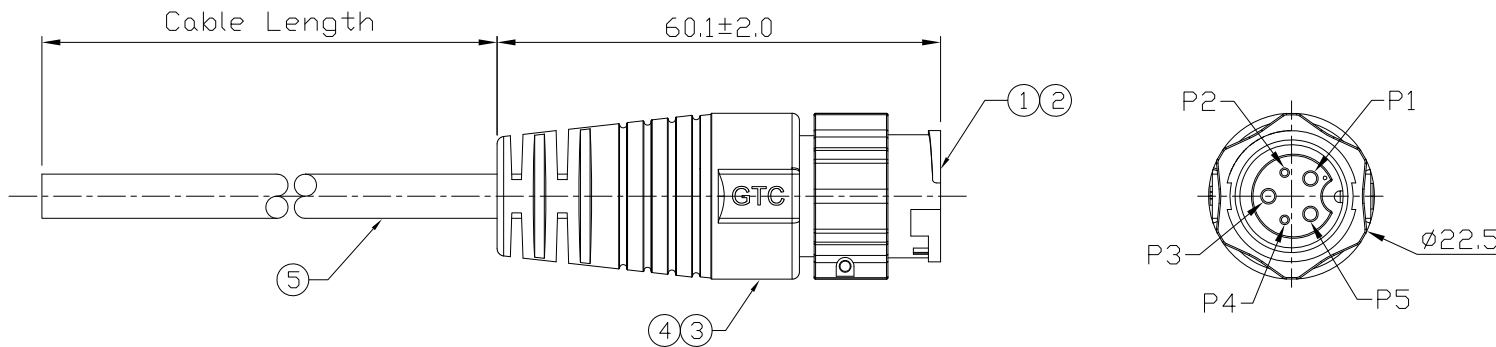
2

3

4

Notes: (Unless Otherwise Specified)
 1. Waterproof Rate: IP67.
 2. RoHS Compliant.

REV	ECN#	DESCRIPTION OF REVISION	DRAW BY DATE	CHECK BY DATE	APPROVE BY DATE
A0		Mass Production	Joyce 11/20/13	Lucas 11/20/13	Ray 11/20/13
A1	ECN-160302	Modify Wiring Diagram	Joyce 03/03/16	Lucas 03/03/16	Ray 03/03/16



GTC
 DOC.CENTER.ISSUE
 MAR.07.2016
 ONLY FOR
 RELEASE

1	Black
2	Orange
3	Brown
4	Yellow
5	Red

Wiring Diagram

GT1D3232-0A327-10	10000 mm	±500
GT1D3232-0A327-09	9000 mm	±450
GT1D3232-0A327-08	8000 mm	±400
GT1D3232-0A327-07	7000 mm	±150
GT1D3232-0A327-06	6000 mm	±150
GT1D3232-0A327-05	5000 mm	±150
GT1D3232-0A327-04	4000 mm	±150
GT1D3232-0A327-03	3000 mm	±150
GT1D3232-0A327-02	2000 mm	±100
GT1D3232-0A327-01	1000 mm	±50
GT1D3232-0A327-Z9	900 mm	±40
GT1D3232-0A327-Z8	800 mm	±40
GT1D3232-0A327-Z7	700 mm	±40
GT1D3232-0A327-Z6	600 mm	±40
GT1D3232-0A327-Z5	500 mm	±40
GT1D3232-0A327-Z4	400 mm	±20
GT1D3232-0A327-Z3	300 mm	±20
GT1D3232-0A327-Z2	200 mm	±10

Part No.	Cable Length	Tol.
----------	--------------	------

Item	Part Name	Material / Finish	Q'ty
5	Cable	UL20549 16AWG*3C+26AWG*2C+Al/My+D OD=6.9mm, PU, Color: Black	1
4	Over Mold	TPE Color: Black	1
3	Inner Mold	Thermoplastic Color: White Or Black	1
2	Contacts	Copper Alloy Finish: Au Plated	5
1	Housing	Thermoplastic Color: Black	1

TITLE						DRAWING NUMBER			REV.
Hybrid C3 10A+2A 3P+2P Cable To Cable Female Lock With PU Cable						GT1D3232-0A327-XX			A1
	B	1:1	Joyce 11/20/13	Lucas 11/20/13	Ray 11/20/13	X.X ± 0.5 X.XX ± 0.2	X.XXX ± 0.05 ANGLES ± 1°	mm	1/1
THIRD ANGLE PROJECTION	SIZE	SCALE	DRAW / DATE	CHECK / DATE	APPROVE / DATE	TOLERANCES		UNIT	SHEET

GT Contact CO.,LTD

NOTICE OF PROPRIETARY PROPERTY:
 THE INFORMATION CONTAINED HEREIN IS THE PROPRIETARY PROPERTY OF GT Contact CO.,LTD THE POSSESSOR AGREES TO THE FOLLOWING:
 (a) TO MAINTAIN THIS DOCUMENT IN CONFIDENCE
 (b) NOT TO REPRODUCE OR COPY IT
 (c) NOT TO REVEAL OR PUBLISH IT IN WHOLE OR PART
 (d) ALL RIGHTS RESERVED

1

2

3

4