

4

3

2

1

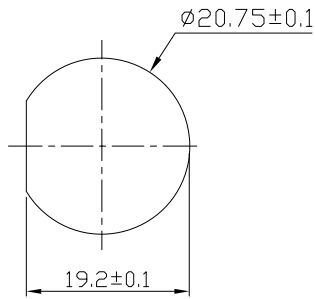
Notes: (Unless Otherwise Specified)

- 1. Waterproof Rate : IP67
- 2. Recommend Panel Thickness: 0.8 to 4.0 mm
- 3. Recommend Torque: 14~15 Kgf-cm
- 4. Mating Cap P/N: GT1C532122
- 5. RoHS Compliance

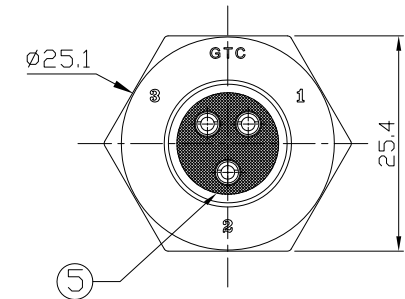
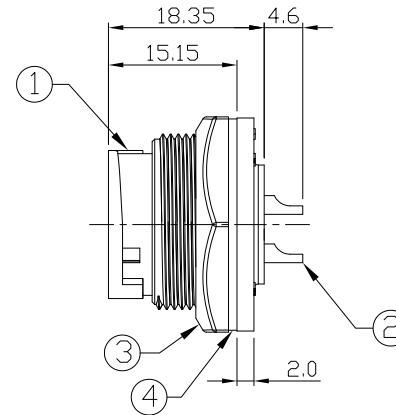
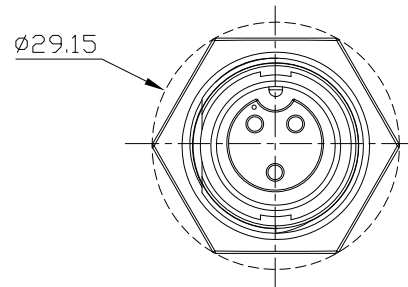


GTC  
 DOC.CENTER.ISSUE  
 AUG.14.2020  
 ONLY FOR  
 RELEASE

REV	ECN#	DESCRIPTION OF REVISION	
02	ECN-200811	Change Of Torsion: 6~7 -> 14~15 Kgf-cm.	081420



Recommend Panel Cut-Out



Item	Part Name	Material/Finish	Q'ty
1	Housing	Thermal Plastic Color: Black	1
2	Contacts	Copper Alloy Finish: Au Plated	3
3	Hex Nut	Thermal Plastic Color: Black	1
4	Gasket	Silicone Color: Black	1
5	Glue	Epoxy Color: Black	

METRIC		GT Contact CO.,LTD	
DRAFTER Vicky	DATE 01/28/11	NOTICE OF PROPRIETARY PROPERTY: THE INFORMATION CONTAINED HEREIN IS THE PROPRIETARY PROPERTY OF GT Contact CO.,LTD. THE POSSESSOR AGREES TO THE FOLLOWING: (a) TO MAINTAIN THIS DOCUMENT IN CONFIDENCE (b) NOT TO REPRODUCE OR COPY IT (c) NOT TO REVEAL OR PUBLISH IT IN WHOLE OR PART (d) ALL RIGHTS RESERVED	
APPROVED Ray	DATE 01/28/11		
DIMENSIONS ARE IN MILLIMETER TOLERANCES  XX ±0.5 X.XX ±0.20 X.XXX ±0.05 ANGLES ±2° DO NOT SCALE DRAWINGS		TITLE C3 Panel 10A Female 3P Lock Solder	
		DRAWING NUMBER GT1D3202-0A300	REV. 02
THIRD ANGLE PROJECTION		SCALE N/A	SHT 1 OF 1

4

3

2

D

D

C

C

B

B

A

A