

1

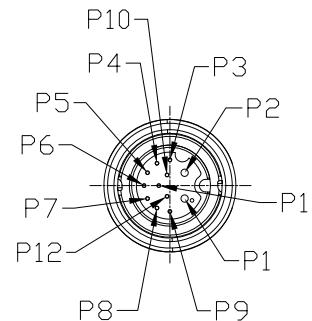
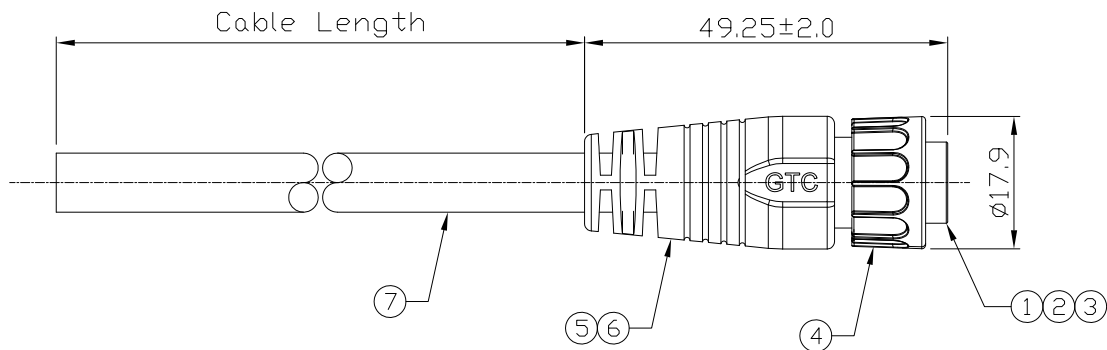
2

3

4

Notes: (Unless Otherwise Specified)
 1. Waterproof Rate : IP67.
 2. RoHS Compliant.

REV	ECN#	DESCRIPTION OF REVISION	DRAW BY DATE	CHECK BY DATE	APPROVE BY DATE
01			Lucas 11/10/14	Ray 11/10/14	Ray 11/10/14



GTC
 R&D DEPT. ISSUE
 NOV.11.2014
 ONLY FOR
 RELEASE

GT1D22A3-2A2A1-10	10000 mm	±500
GT1D22A3-2A2A1-09	9000 mm	±450
GT1D22A3-2A2A1-08	8000 mm	±400
GT1D22A3-2A2A1-07	7000 mm	±150
GT1D22A3-2A2A1-06	6000 mm	±150
GT1D22A3-2A2A1-05	5000 mm	±150
GT1D22A3-2A2A1-04	4000 mm	±150
GT1D22A3-2A2A1-03	3000 mm	±150
GT1D22A3-2A2A1-02	2000 mm	±100
GT1D22A3-2A2A1-01	1000 mm	±50
GT1D22A3-2A2A1-Z9	900 mm	±40
GT1D22A3-2A2A1-Z8	800 mm	±40
GT1D22A3-2A2A1-Z7	700 mm	±40
GT1D22A3-2A2A1-Z6	600 mm	±40
GT1D22A3-2A2A1-Z5	500 mm	±40
GT1D22A3-2A2A1-Z4	400 mm	±20
GT1D22A3-2A2A1-Z3	300 mm	±20
GT1D22A3-2A2A1-Z2	200 mm	±10
Part No.	Cable Length	Tol.

1	Black
2	Red
3	Brown
4	Orange
5	Yellow
6	Green
7	Blue
8	Purple
9	Gray
10	White
11	Pink
12	Black/White

Wiring Diagram

Item	Part Name	Material / Finish	Qty
7	Cable	UL2464 18AWG*2C+26AWG*10C+D+Al/My, OD=8.0mm Color:Black	1
6	Over Mold	PVC Color: Black	1
5	Inner Mold	Thermoplastic Color: White or Black	1
4	Lock Nut	Thermoplastic Color: Black	1
3	O-Ring	Silicone Color: Red	1
2	Contacts	Copper Alloy Finish: Au Plated	12
1	Housing	Thermoplastic Color: Black	1

TITLE						DRAWING NUMBER			REV.
C2 10A+1A 2P+10P Cable End Male Lock (Code B)						GT1D22A3-2A2A1-XX			01
THIRD ANGLE PROJECTION	SIZE	SCALE	DRAW / DATE	CHECK / DATE	APPROVE / DATE	X.X ± 0.5 X.XX ± 0.2	X.XXX ± 0.05 ANGLES ± 1°	mm	1/1
	B	1:1	Lucas 11/10/14	Ray 11/10/14	Ray 11/10/14	TOLERANCES		UNIT	SHEET

GT Contact CO.,LTD

NOTICE OF PROPRIETARY PROPERTY:
 THE INFORMATION CONTAINED HEREIN IS THE PROPRIETARY PROPERTY OF GT CONTACT CO.,LTD THE POSSESSOR AGREES TO THE FOLLOWING:
 (a) TO MAINTAIN THIS DOCUMENT IN CONFIDENCE
 (b) NOT TO REPRODUCE OR COPY IT
 (c) NOT TO REVEAL OR PUBLISH IT IN WHOLE OR PART
 (d) ALL RIGHTS RESERVED

1

2

3

4