

1

2

3

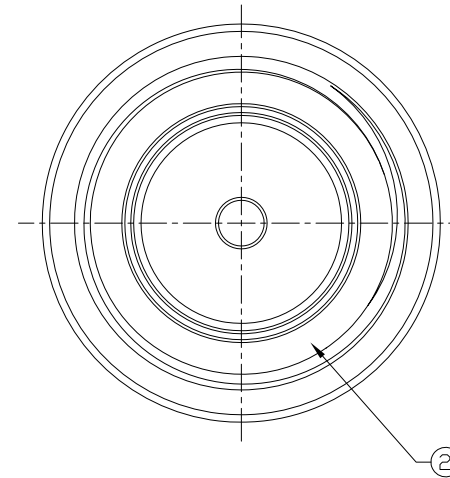
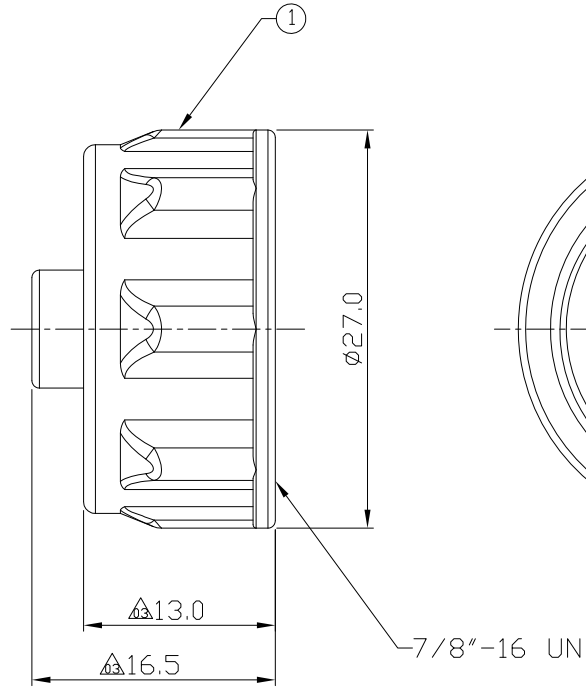
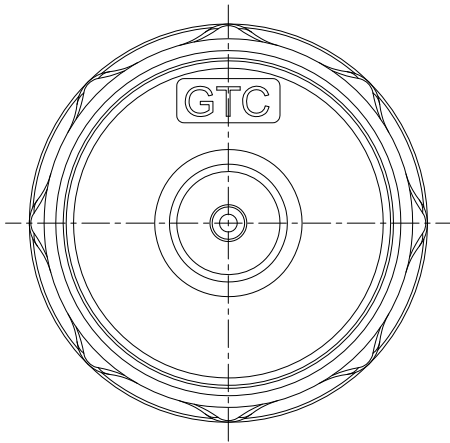
4

Notes: (Unless Otherwise Specified)

- 1. Waterproof Rate: IP67.
- 2. RoHS Compliant.

REV	ECN#	DESCRIPTION OF REVISION	DRAW BY DATE	CHECK BY DATE	APPROVE BY DATE
03	ECN-160704	Modify Cap P/N Δ 03	Joyce 07/15/16	Lucas 07/15/16	Ray 07/15/16

GTC
R&D DEPT. ISSUE
JUL.18.2016
ONLY FOR
RELEASE



Item	Part Name	Material / Finish	Q'ty
2	Rubber Pad	Viton Color: Black	1
1	Screw Cap	Thermoplastic Color: Black	1

TITLE						DRAWING NUMBER			REV.
Cap Plastic For Mini Male End						GT1C733102			03
THIRD ANGLE PROJECTION	SIZE	SCALE	DRAW / DATE	CHECK / DATE	APPROVE / DATE	TOLERANCES	UNIT	SHEET	
	B	2:1	Edwin 09/23/11	Lucas 09/23/11	Ray 09/23/11	X.X ± 0.5 X.XX ± 0.2	mm	1/1	
						X.XXX ± 0.05 ANGLES ± 1°			

GT Contact CO.,LTD

NOTICE OF PROPRIETARY PROPERTY:
THE INFORMATION CONTAINED HEREIN IS THE PROPRIETARY PROPERTY OF GT Contact CO.,LTD THE POSSESSOR AGREES TO THE FOLLOWING:
(i) TO MAINTAIN THIS DOCUMENT IN CONFIDENCE
(ii) NOT TO REPRODUCE OR COPY IT
(iii) NOT TO REVEAL OR PUBLISH IT IN WHOLE OR PART
(iv) ALL RIGHTS RESERVED

1

2

3

4