

1

2

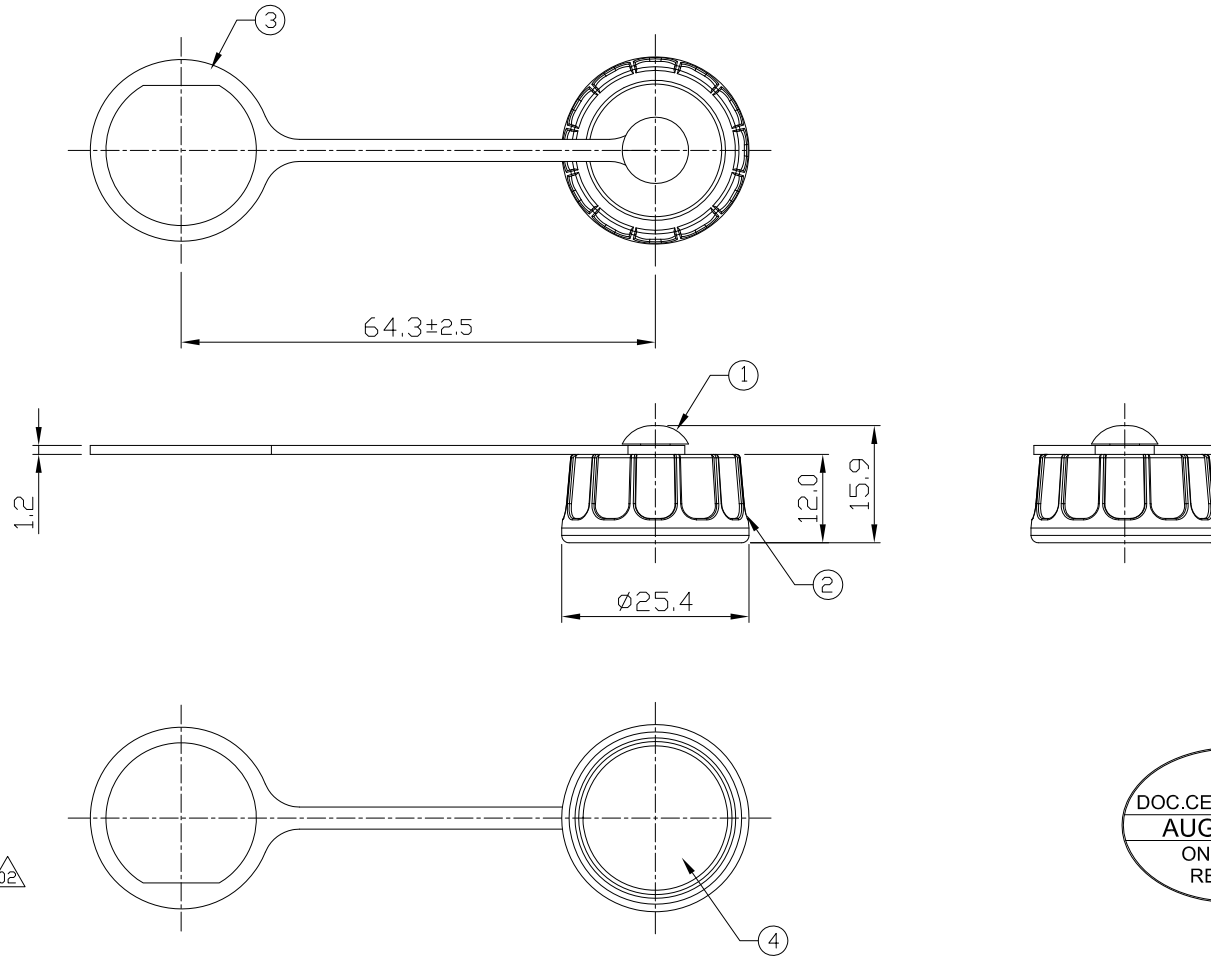
3

4

Notes: (Unless Otherwise Specified)

- 1. Waterproof Rate : IP67.
- 2. RoHS Compliant.

REV	ECN#	DESCRIPTION OF REVISION	DRAW BY DATE	CHECK BY DATE	APPROVE BY DATE
02	ECN-200629	Change The Material Of Rubber Chain, Thermoplastic → NBR.	Aileen 08/11/20	Lucas 08/11/20	Ray 08/11/20



4	Rubber Pad	Silicone Color: Black	1
3	Rubber Chain	NBR Color: Black	1
2	Screw Cap	Thermoplastic Color: Black	1
1	Plastic Rivet	Thermoplastic Color: Black	1
Item	Part Name	Material / Finish	Q'TY

GTC
DOC.CENTER.ISSUE
AUG.12.2020
ONLY FOR
RELEASE

TITLE						DRAWING NUMBER			REV.
Cap Plastic For C3 Screw Panel With Rubber Chain Right D-Cut						GT1C533142			02
THIRD ANGLE PROJECTION	SIZE	SCALE	DRAW / DATE	CHECK / DATE	APPROVE / DATE	TOLERANCES		UNIT	SHEET
	B	1:1	Lucas 02/14/20	Lucas 02/14/20	Ray 02/14/20	X.X ± 0.5 X.XX ± 0.2	X.XXX ± 0.05 ANGLES ± 1°	mm	1/1

GT Contact CO.,LTD

NOTICE OF PROPRIETARY PROPERTY:
THE INFORMATION CONTAINED HEREIN IS THE PROPRIETARY PROPERTY OF GT Contact CO.,LTD THE POSSESSOR AGREES TO THE FOLLOWING:
(i) TO MAINTAIN THIS DOCUMENT IN CONFIDENCE
(ii) NOT TO REPRODUCE OR COPY IT
(iii) NOT TO REVEAL OR PUBLISH IT IN WHOLE OR PART
(iv) ALL RIGHTS RESERVED

1

2

3

4